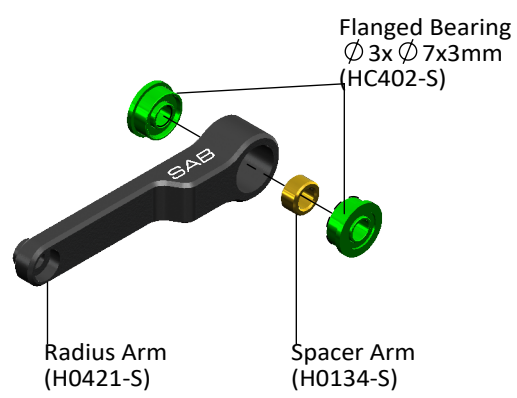




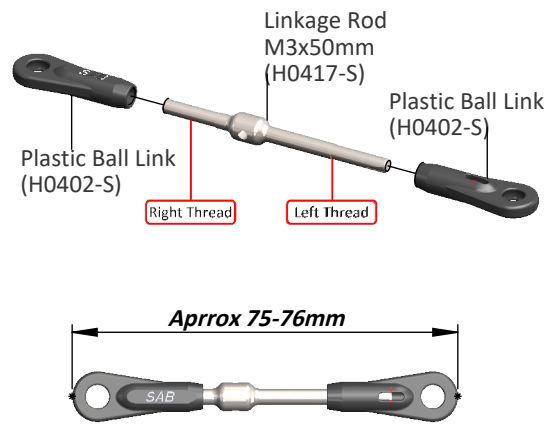
Integration to the manual

THIS PAGE REPLACES PAGE 10 OF THE 2 BLADES RAW MANUAL.

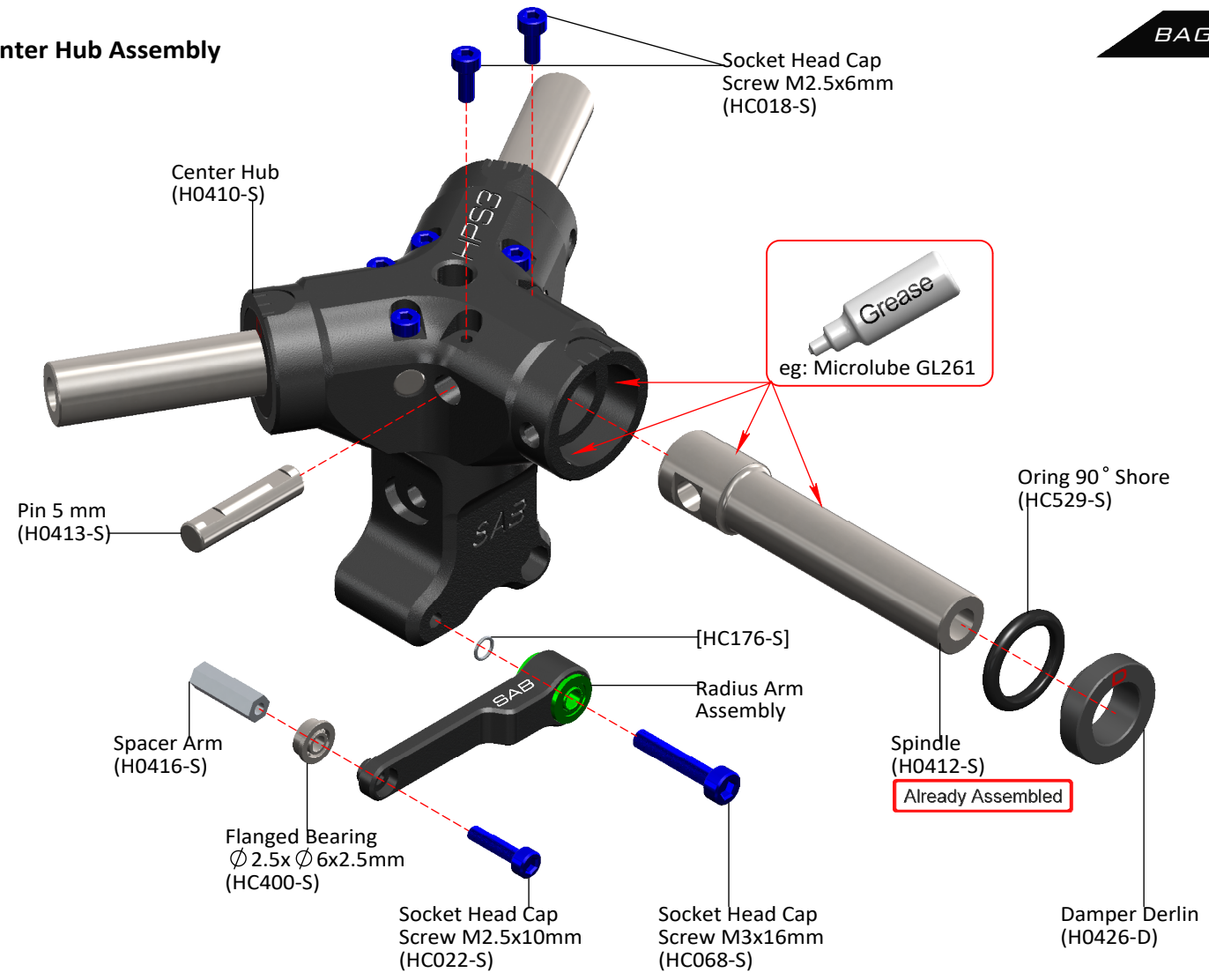
Radius Arm Assembly ... x 2



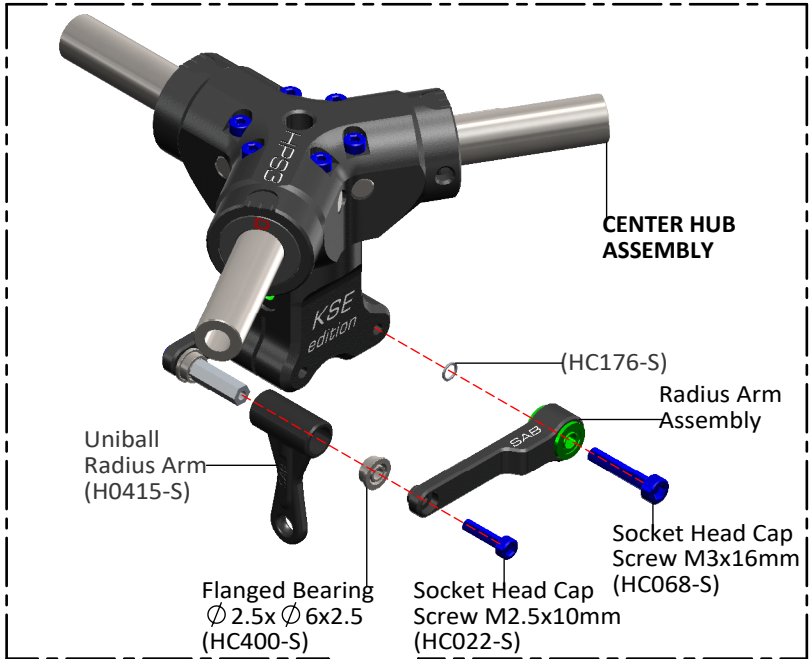
Main Linkage Assembly ...x3



Center Hub Assembly



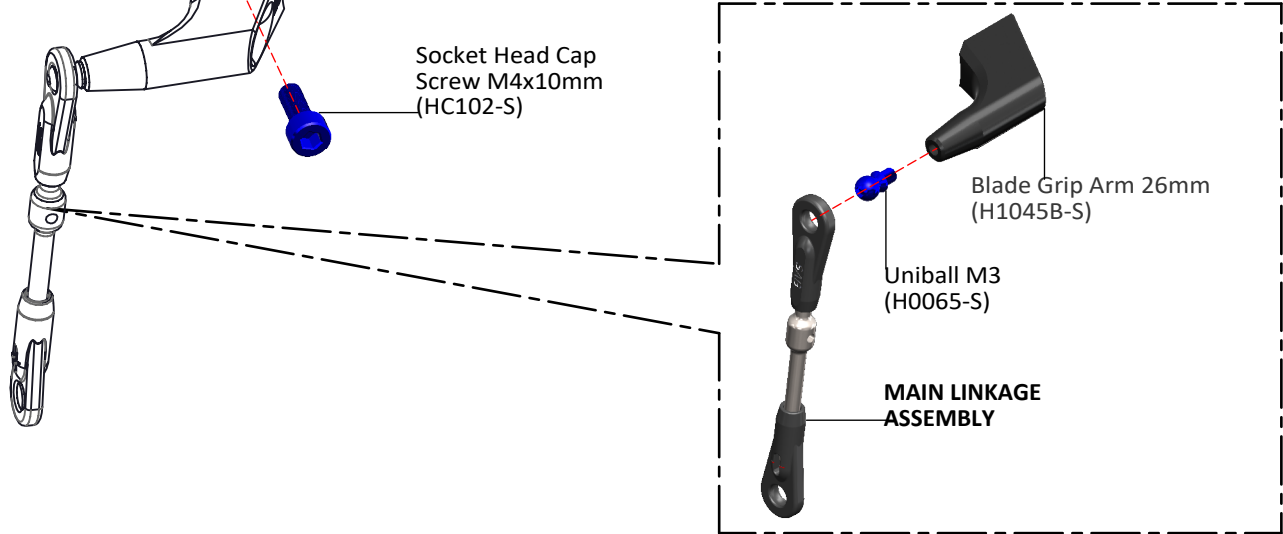
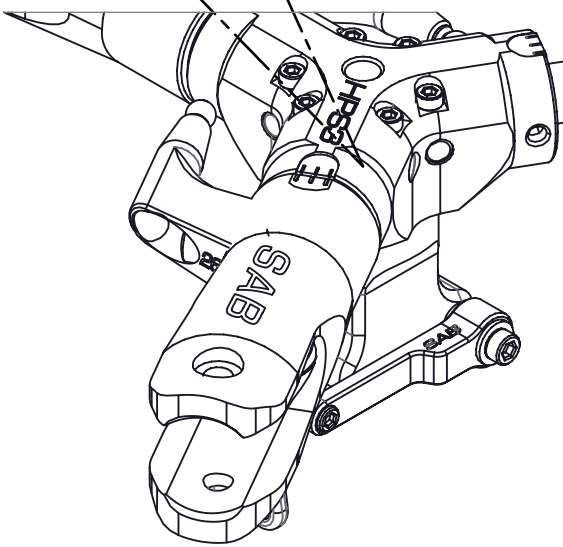
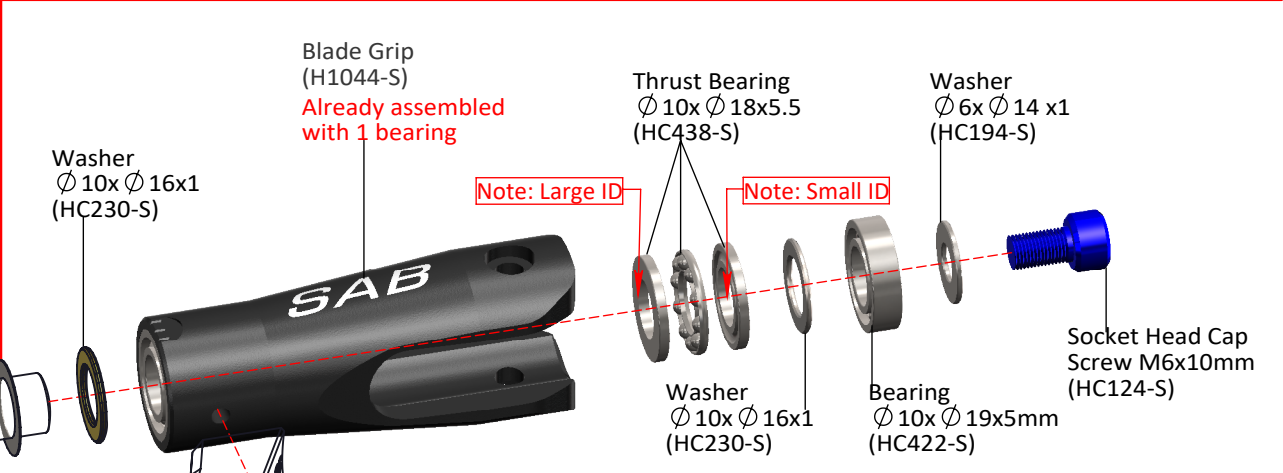
BAG 10



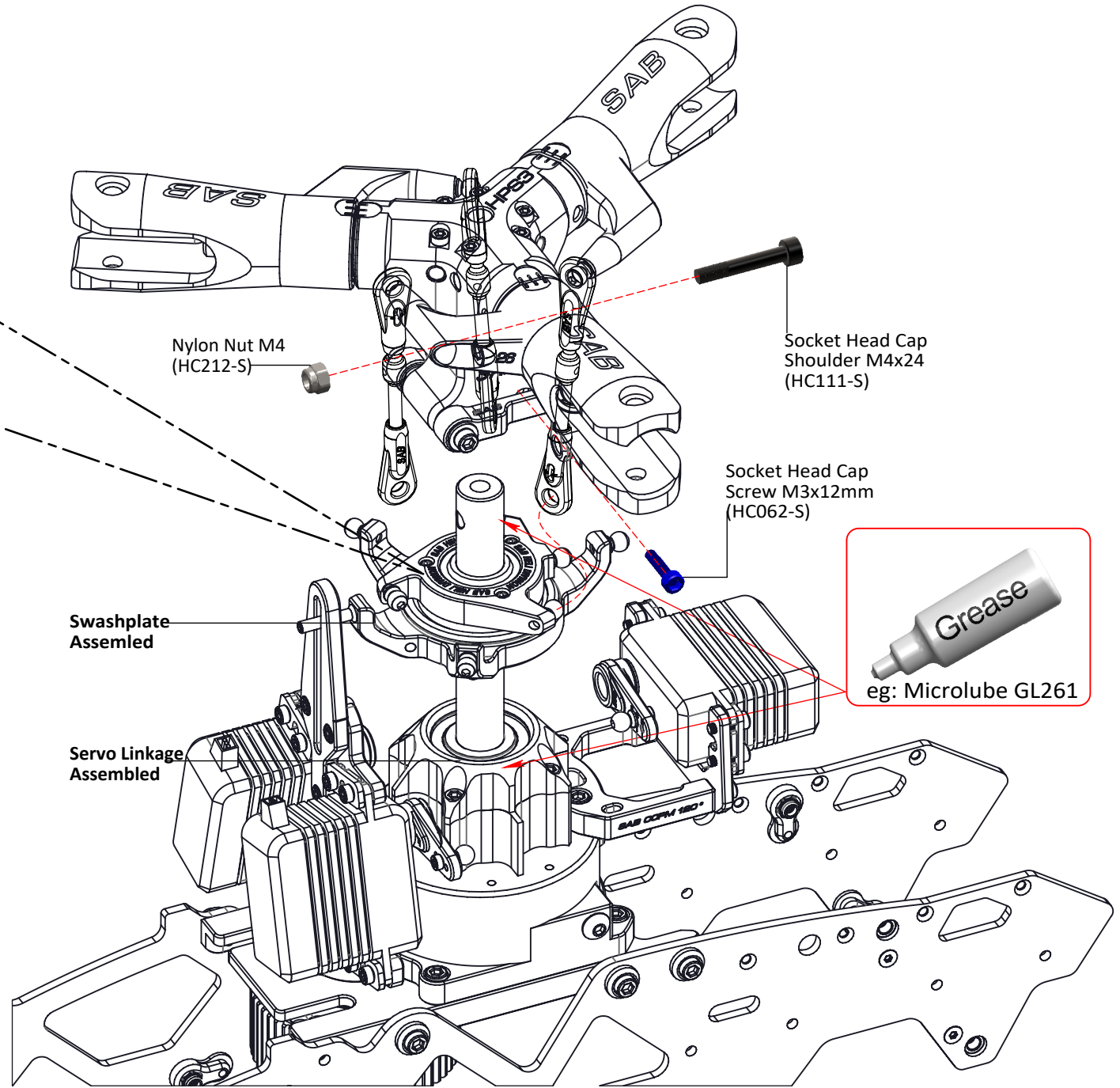
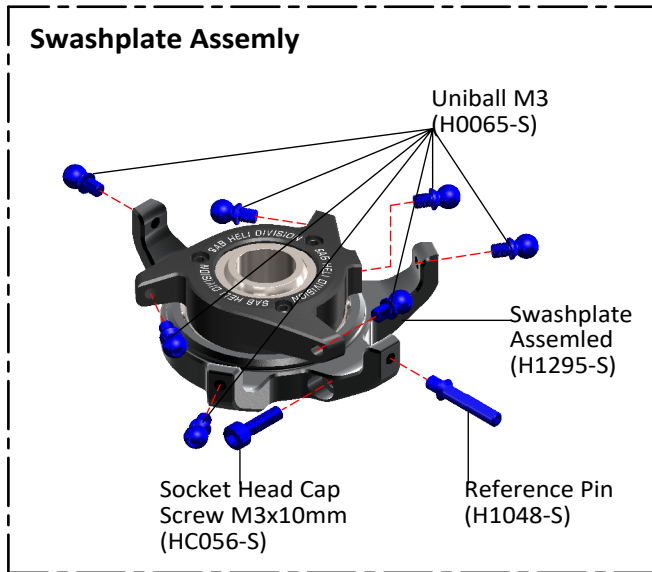
NOTE:

Washer 10x 16x0.2mm [HC232-S]

The HPS head should be assembled with one, 1mm shim (HC230) on each side. The blade grips must move freely, but they should not move just under their own weight. After approximately 10/20 flights, please check preload, you can add one or two 0.2mm shim (HC232) if preload has changed.

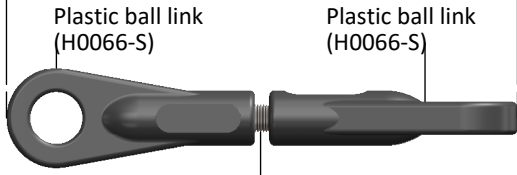


BAG 12

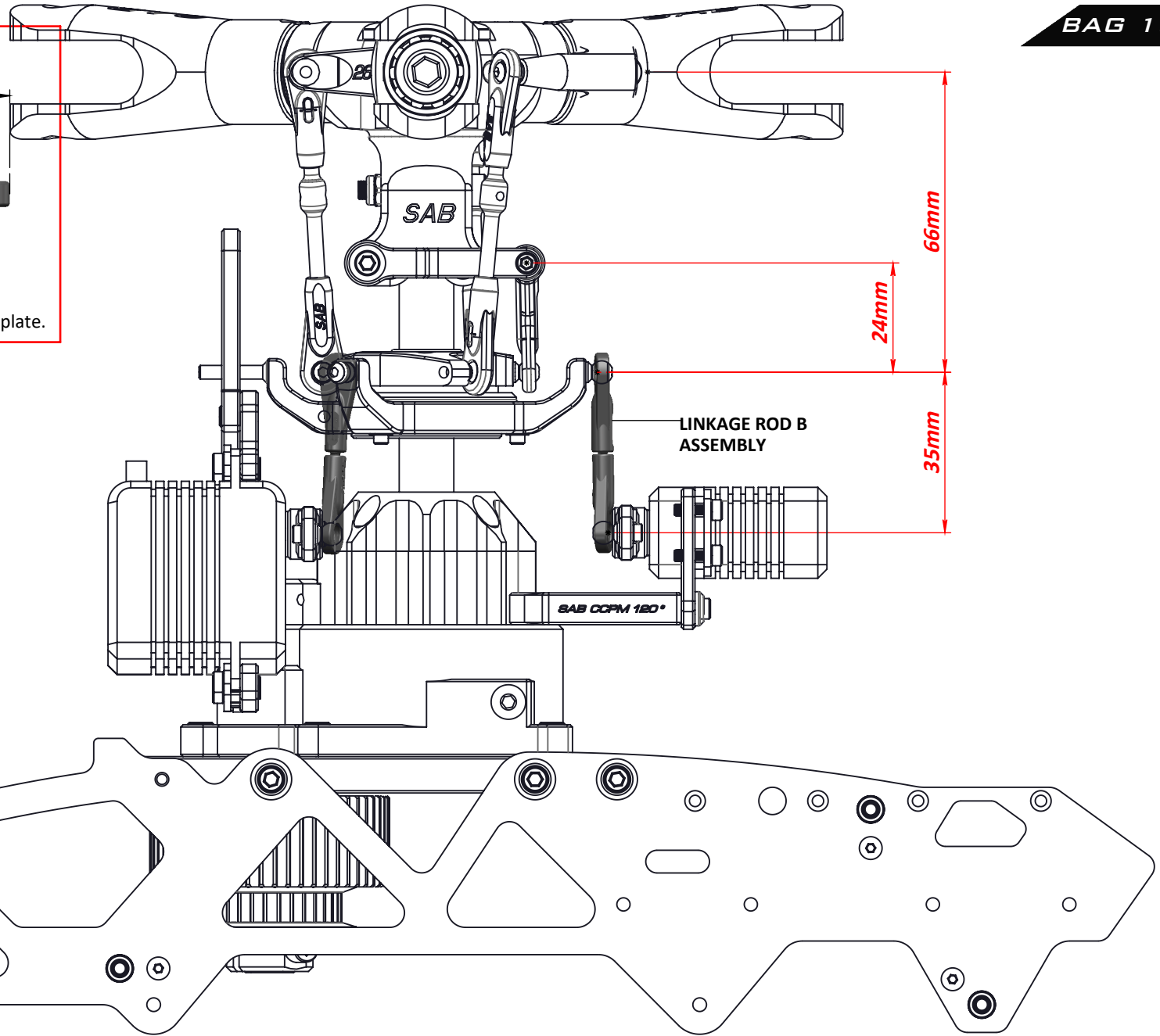


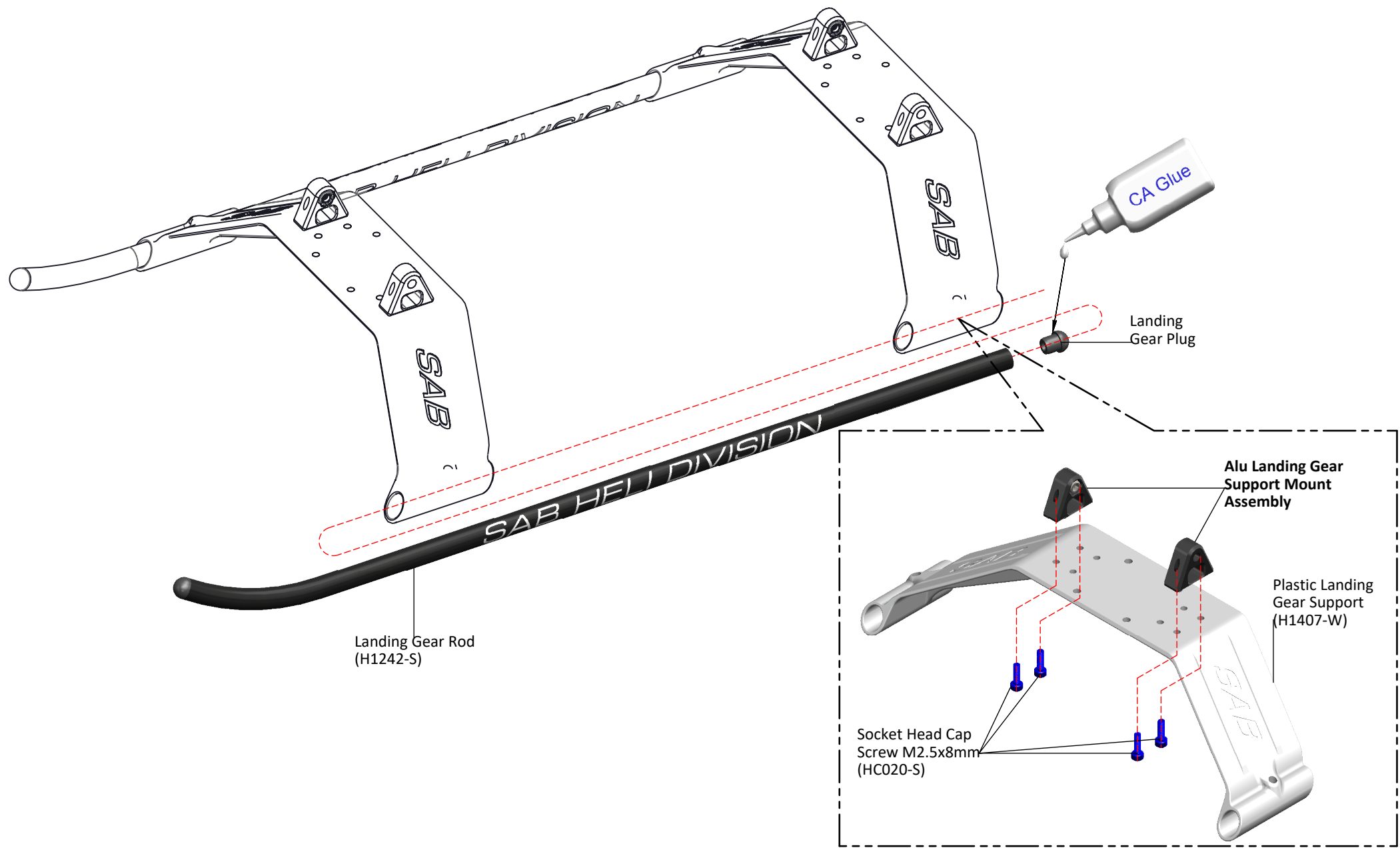
LINKAGE ROD B ASSEMBLY ... X3

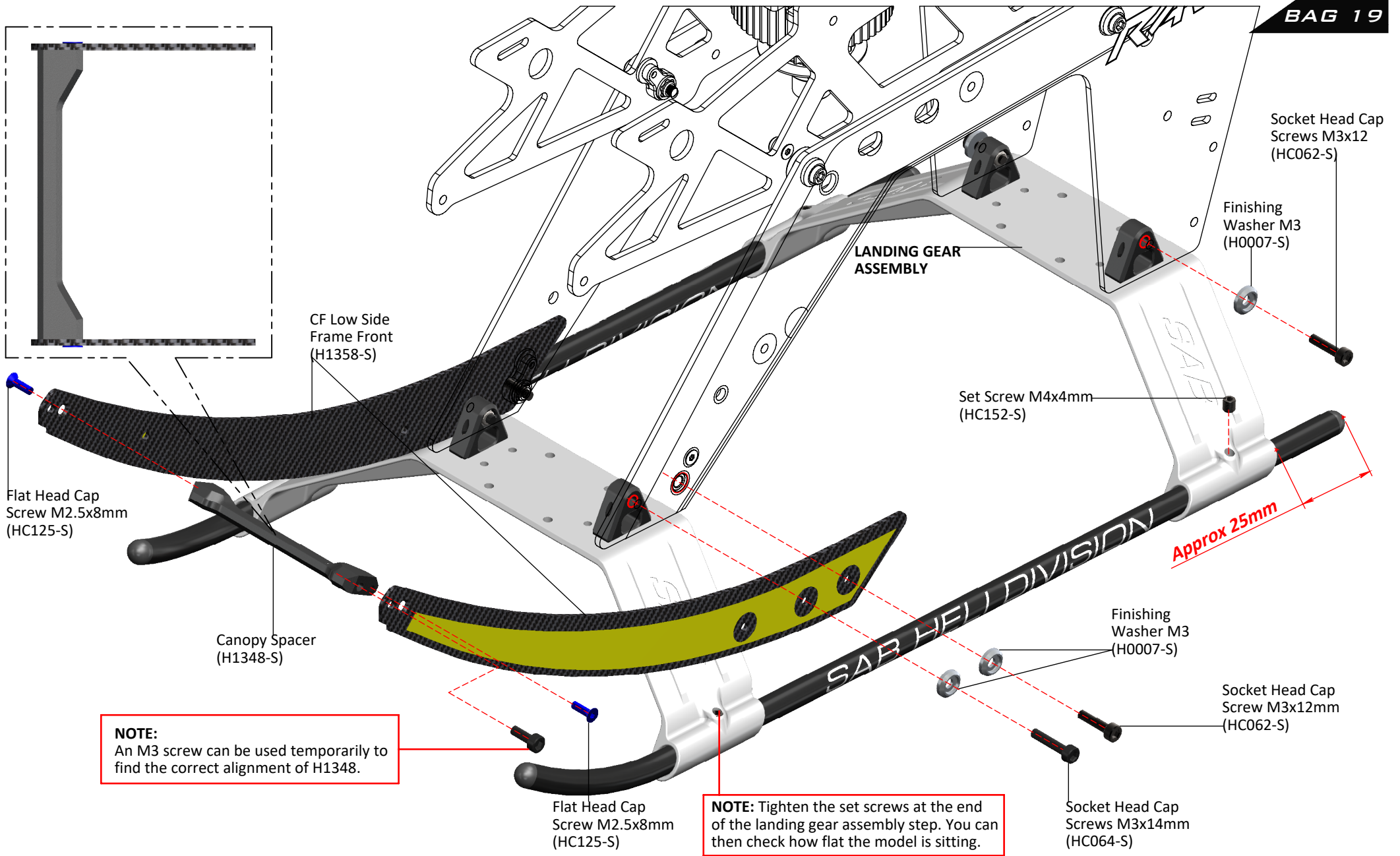
Approx 45mm



Initial length for the rods from the servos to the swash plate.







TRANSMISSION SETUP

It is important to choose the right reduction ratio to maximize efficiency based on your required flight performance.

It is recommended to use wiring and connectors appropriate for the currents generated in a helicopter of this class.

If you are using a head speed calculator which requires a main gear and pinion tooth count, use 212 teeth for the main gear (this takes into account the two stage reduction) and the tooth count of your pulley as the pinion count.

BELOW IS A LIST OF AVAILABLE REDUCTION RATIOS:

H0175-18-S - **18T** Pinion = ratio **11.8:1**

H0175-22-S - **22T** Pinion = ratio **9.6:1**

H0175-19-S - **19T** Pinion = ratio **11.2:1**

H0175-23-S - **23T** Pinion = ratio **9.2:1**

H0175-20-S - **20T** Pinion = ratio **10.6:1**

H0175-24-S - **24T** Pinion = ratio **8.8:1**

H0175-21-S - **21T** Pinion = ratio **10.1:1**

H0175-25-S - **25T** Pinion = ratio **8.4:1**

GOBLIN RAW KSE CONFIGURATIONS					
Battery	Motor	ESC	Pinion (a, b)	RPM Max (a, b)	Pitch
12S 4500/5500 mAh	Xnova 4530-525kv lightning	HW-200A	22T / 23T	2200/2300	± 13
	Pyro 800-480	Kosmik 200 YGE 205HVT	24T / 25T		
	Scorpion HKII 4530-540 TENGU 4525HT/550KV	SCORPION II 14-200A	21T / 22T		

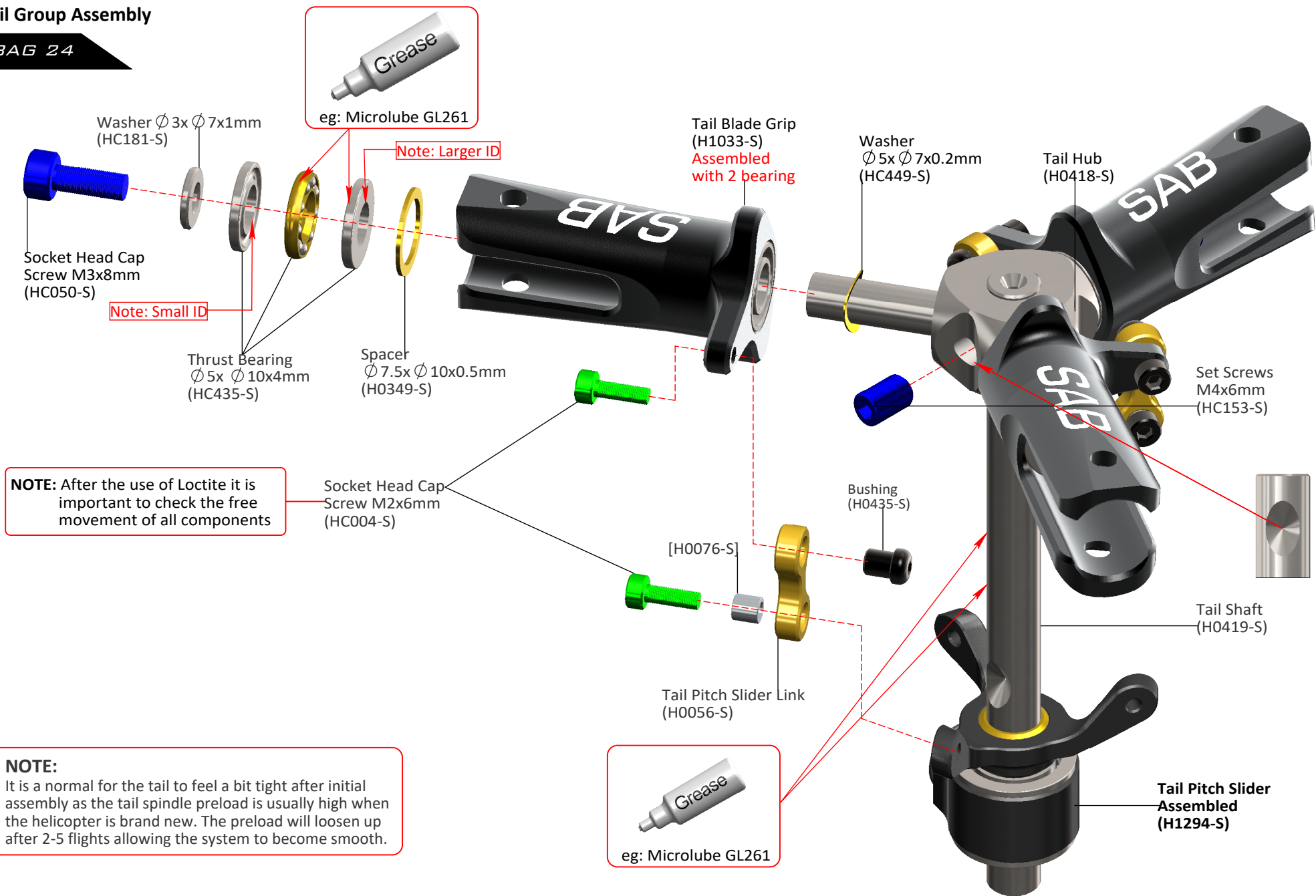
Rev:01

THE PULLEY ON THE KIT H0175-20



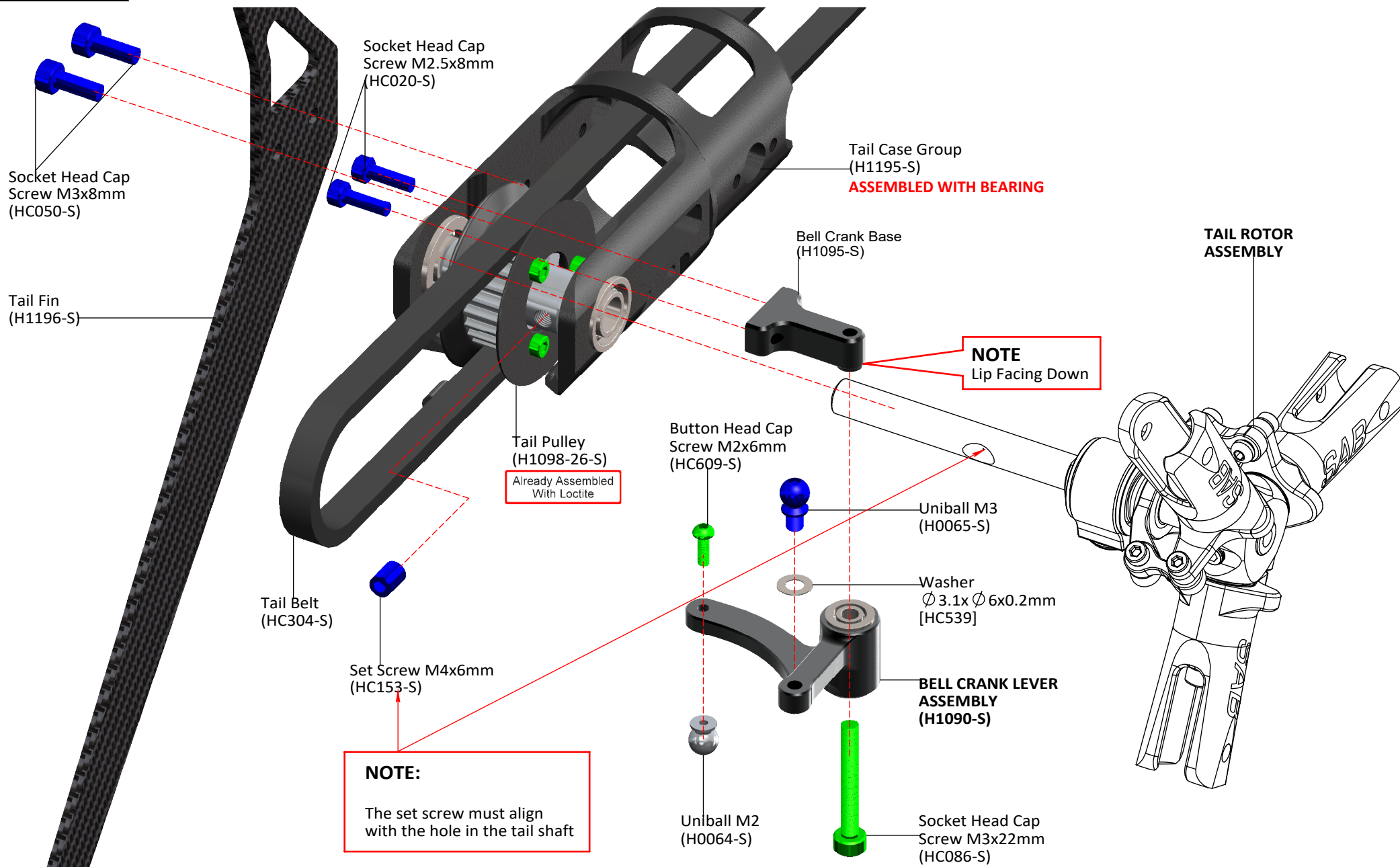
Tail Group Assembly

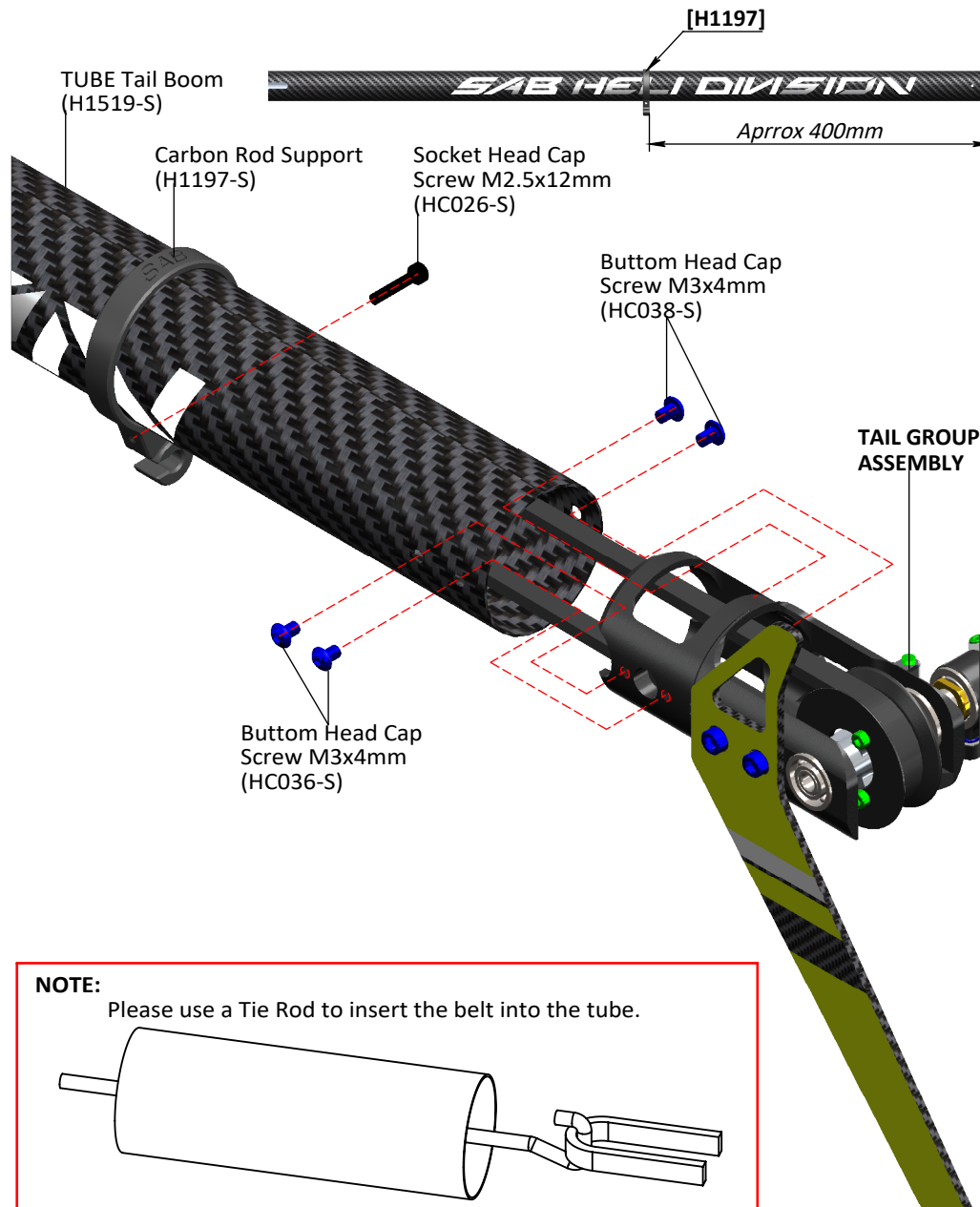
BAG 24



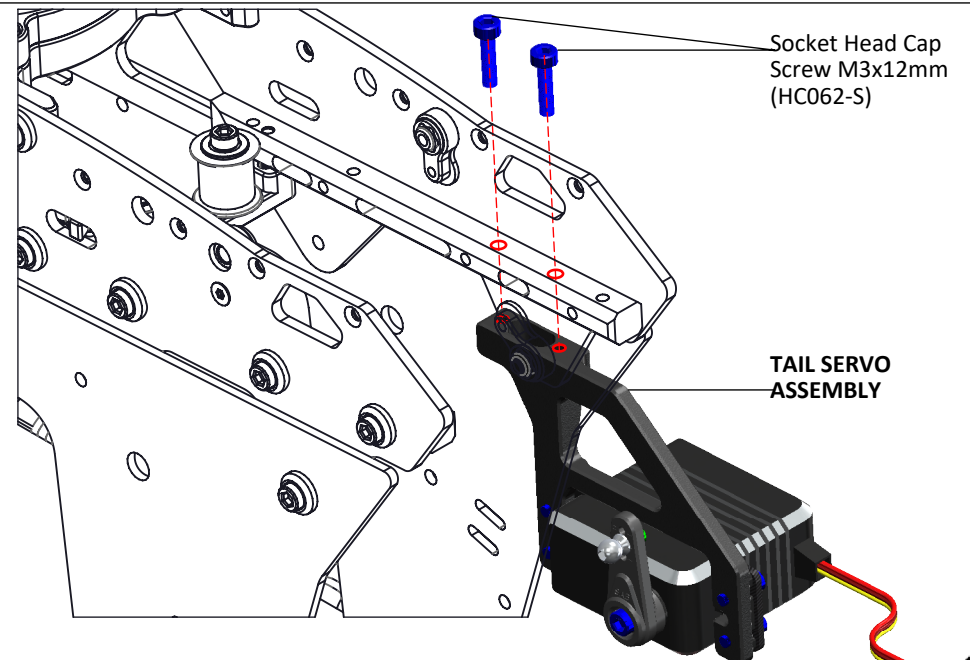
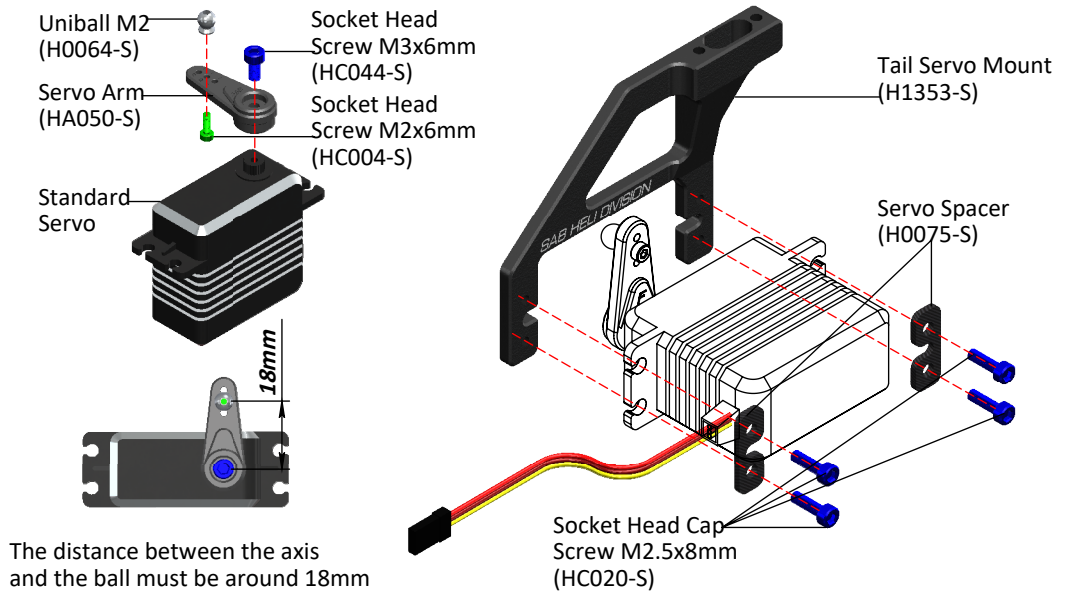
NOTE:
It is a normal for the tail to feel a bit tight after initial assembly as the tail spindle preload is usually high when the helicopter is brand new. The preload will loosen up after 2-5 flights allowing the system to become smooth.

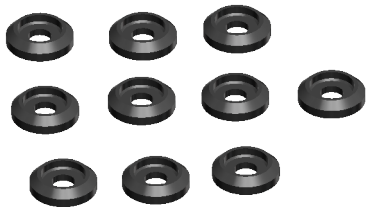

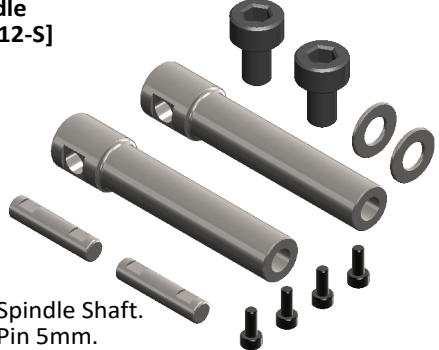
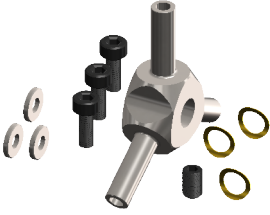
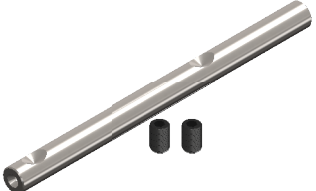



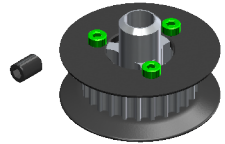
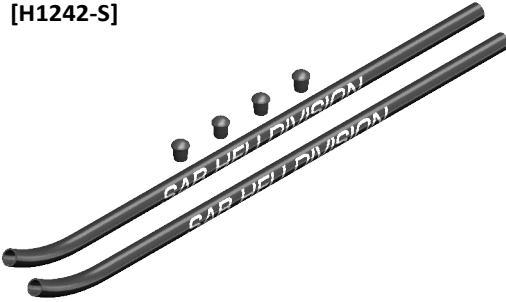


BAG 25






TAIL SERVO ASSEMBLY



<p>Finishing Washer M3 Black [H0007BM-S]</p>  <p>- 10 x Finishing Washer M3 Black.</p>	<p>Center Hub [H0410BM-S]</p>  <p>- 1 x Center Hub. - 2 x Socket M4x24mm. - 2 x Socket M3x12mm. - 1 x Nylon Nut M4.</p>	<p>Spindle [H0412-S]</p>  <p>- 2 x Spindle Shaft. - 2 x Pin 5mm. - 4 x Head Cap Screw M2.5x6mm. - 2 x Head Cap Screw M4x10mm - 2 x Washer Ø6,3 x Ø15 x 1mm</p>	<p>Tail Hub [H0418-S]</p>  <p>- 1 x Tail Hub. - 1 x Set Screw M4x6mm. - 3 x Head Cap Screws M3x8mm. - 3 x Washer Ø3xØ7x1mm. - 3 x Washer Ø5xØ7x0,2mm.</p>
<p>Tail Shaft [H0419-S]</p>  <p>- 1 x Tail Shaft. - 2 x Set Screws M4x6mm.</p>	<p>Radius Arm [H0421-S]</p>  <p>- 2 x Radius Arms. - 1 x Spacer Hex. - 1 x Uniball Radius Arms. - 2 x Spacer Arm Ø3x Ø5x2.7mm. - 2 x Head Cap Screws M3x16mm. - 2 x Head Cap Screws M2.5x10mm. - 2 x Flanged Bearings Ø2.5x Ø6x2.5mm. - 4 x Flanged Bearings Ø3x Ø7x3mm.</p>	<p>Damper [H0426-S] [H0426-D-S]</p>  <p>- 3 x H0426-A. - 3 x Washers Ø10x Ø16x1mm. - 3 x H0426-B. - 3 x Washers Ø10x Ø16x0.2mm. - 3 x H0426-C. - 3 x Orings 90 shore.</p>	<p>Pin M2 [H0435-S]</p>  <p>- 3 x Pin M2. - 3 x Spacer Ø2x Ø3x3mm. - 3 x Tail Pitch Slider Link. - 6 x Head Cap Screws M2x6mm.</p>
<p>Tail Pulley 26T [H1098-26-S]</p>  <p>- 1 x Tail pulley 26T. - 1 x Set Screw M4x6mm.</p>	<p>Landing Gear Rod [H1242-S]</p>  <p>- 2 x Landing Gear Rod. - 4 x Plug.</p>	<p>Tail Pitch Slider [H1294-S]</p>  <p>- 1 x Tail Pitch Slider Assembled.</p>	<p>Swashplate [H1295-S]</p>  <p>- 1 x Swashplate Assembly. - 7 x Uniball M3. - 1 x Reference Pin.</p>

Plastic Landing Gear [H1407-S]



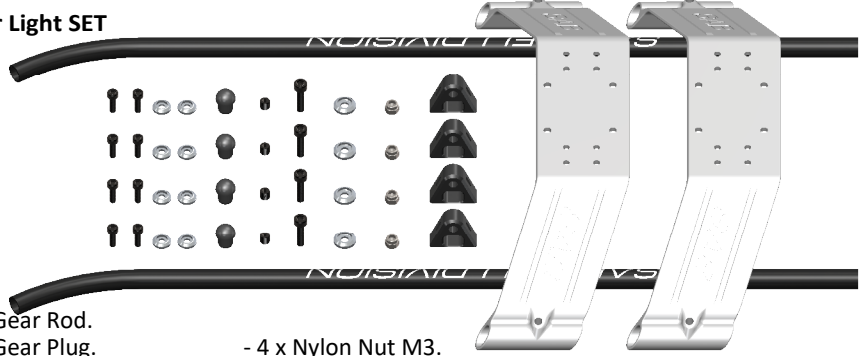
- 2 x Plastic Landing Gear.
- 4 x Set Screws M4x4mm.

Alu Landing Gear Mount [H1408-S]



- 4 x Alu Landing Gear Mount.
- 8 x Socket Screws M2.5x8mm.

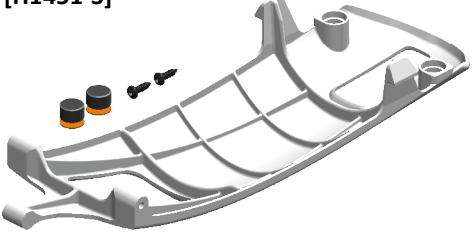
Landing Gear Light SET [H1431-S]



- 2 x Landing Gear Rod.
- 4 x Landing Gear Plug.
- 2 x White Landing Gear Support.
- 4 x Alu Landing Gear Block.
- 4 x Finishing Washer M3.

- 4 x Nylon Nut M3.
- 4 x Set Screw M4x4mm.
- 8 x Socket Head Cap Screw M2.5x8mm.
- 4 x Socket Head Cap Screw M3x12mm.

White Battery Hatch [H1451-S]




- 1 x White Battery Hatch.
- 2 x Self Tapping Cap Screw M3x10.
- 2 x Double Side Tape.
- 2 x Mousse.

RAW KSE Carbon Tube Boom [H1519-S]



- 1 x Raw KSE Carbon Tube Boom.


RAW KSE Canopy [H1520-S]



- 1 x Canopy Raw KSE.
- 2 x Rubber Washer.
- 4 x Finishing Washer M3.


- 2 x Head Cap Screw M3x12mm.
- 2 x Socket Head Cap Screw M3x14.

RAW Sticker [HA085-S]



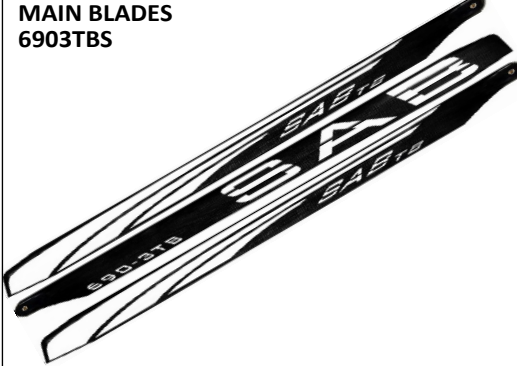
- 1 x Raw Sticker SET.

MAIN BLADE HOLDER [HA090-S]




- 1 x Main Blade Holder.

MAIN BLADES 6903TBS



- 3 x Main Blade 690mm.

TAIL BLADES 1053TBS



- 3 x Tail Blade 105mm.