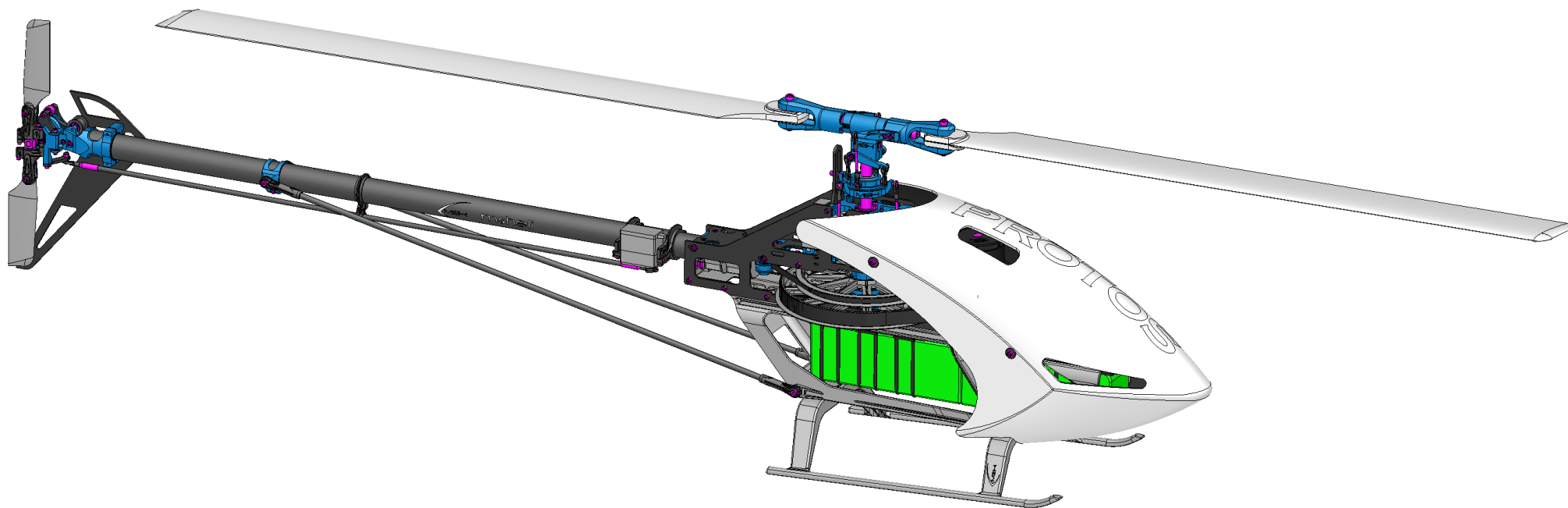


V2L PRÔTOS^{MAX} EDGEERO

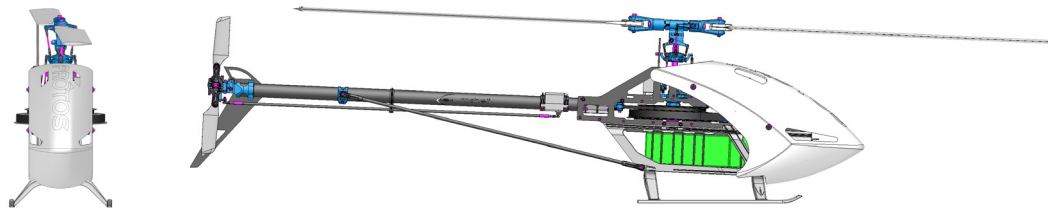


| | |
|----------------------------------|---------------------------|
| Main rotor diameter..... | 1577mm (700mm blades) |
| Tail rotor diameter..... | 286mm (105mm tail blades) |
| Length without main blades..... | 1371mm |
| Length with main blades..... | 1757mm (700mm blades) |
| Overall height..... | 365mm |
| Tail rotor-Main rotor ratio..... | 4,766 |
| Main pulley..... | 190T |
| Autorotation pulley..... | 143T |
| Tail pulley..... | 30T |

Release 1.01

Always check on www.msheli.com for a more recent version of this manual

| Pages | Content |
|-------|------------------------------------|
| 3 | safety rules |
| 4 | tools required for assembly |
| 5 | R/C equipment required to complete |
| 6 | motor pinion teeth choice |
| 7 | how to read this manual |
| 8-29 | main frame assembly |
| 30-43 | tail assembly |
| 44 | cyclic servos |
| 45-51 | head assembly |
| 52-53 | Brain, ESC, BEC |
| 54-55 | battery installation |
| 56 | main blades installation |
| 57 | canopy installation |
| 58 | main blades pitch check |
| 59 | tail blades pitch check |
| 60 | belt tension check - tail side |
| 61 | belt tension check - motor side |



Always follow these rules for safety



Operate the helicopter in open areas with no people nearby.

Do NOT operate the helicopter in the following places and situations (or else you risk severe accidents):

- in places where children gather or people pass through
- in residential areas and parks
- indoors and in limited space
- in windy weather or when there is rain, snow, fog or other precipitation

If you do not observe these instructions you may be held liable for personal injury or property damage!

Always check the R/C system prior to operating your helicopter.

When the R/C system batteries get weaker, the operational range of the R/C system decreases.

Note that you may lose control of your model when operating it under such conditions.

Keep in mind that other people around you might also be operating a R/C model.

Never use a frequency which someone else is using at the same time.

Radio signals will be mixed and you will lose control of your model.

If the model shows irregular behavior, bring the model to a halt immediately and disconnect the batteries.

Investigate the reason and fix the problem.

Do not operate the model again as long as the problem is not solved, as this may lead to further trouble and unforeseen accidents.

In order to prevent accidents and personal injury, be sure to observe the following:

Before flying the helicopter, ensure that all screws are tightened.

A single loose screw may cause a major accident.

Replace all broken or defective parts with new ones, as damaged parts lead to crashes.

Never approach a spinning rotor. Keep at least 10 meters/yards away from a spinning rotor blades.

Do not touch the motor immediately after use. It may be hot enough to cause burns.

Perform all necessary maintenance.

PRIOR TO ADJUSTING AND OPERATING YOUR MODEL, OBSERVE THE FOLLOWING

Operate the helicopter only outdoors and out of people's reach as the main rotor operates at high rpm!

While adjusting, stand at least 10 meters

Novice R/C helicopter pilots should always seek advice from experienced pilots to obtain hints with assembly and for pre-flight adjustments.


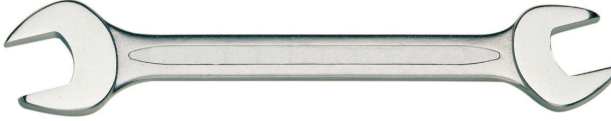


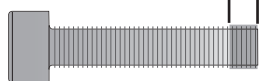

Note that a badly assembled or insufficiently adjusted helicopter is a safety hazard!

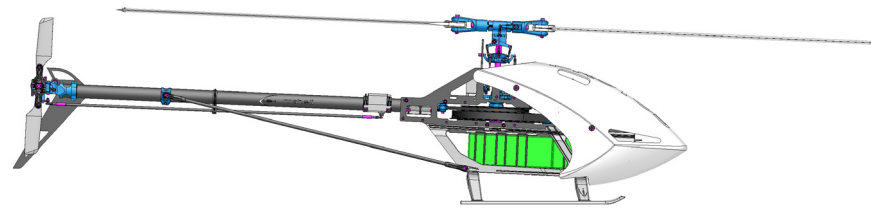
In the beginning, novice R/C helicopter pilots should always be assisted by an experienced pilot and never fly alone!

MSHeli Srl
Italy

Tools required for assembly



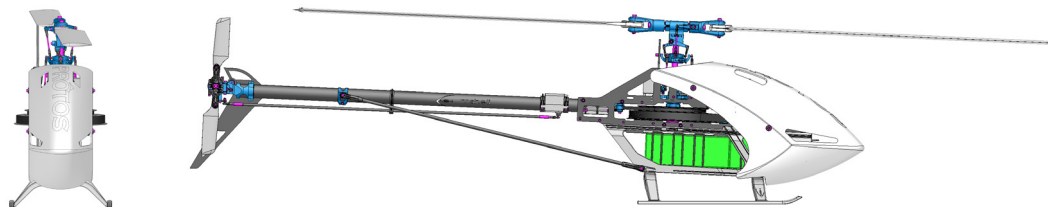
| | |
|---|---|
|  <p>Hexagon screw drivers : 1,5mm 2mm (need with handle and long tip) 2,5mm - 4mm two 5 mm (spindle)</p> |  <p>open-end wrench 7mm</p> |
| <p>Thrust bearing grease</p> |  <p>Hexagon L-key 2,5mm</p> |
|  <p>where indicated use Thread lock MEDIUM</p>  |  <p>Slow curing EPOXY</p> |



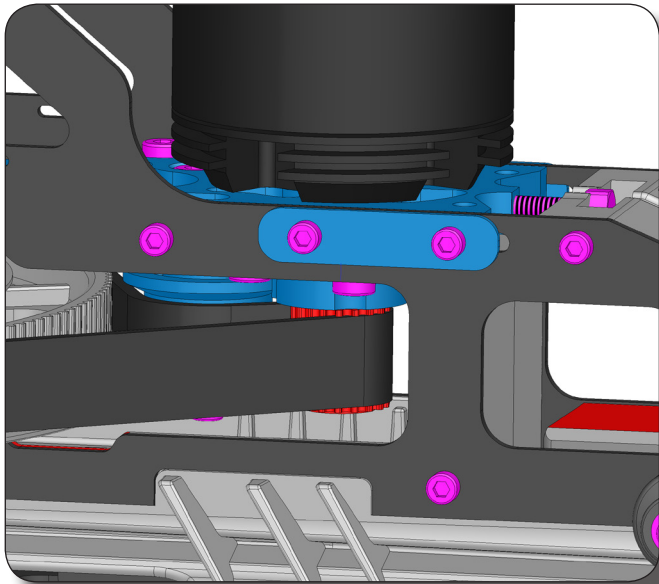
R/C equipment required for assembly



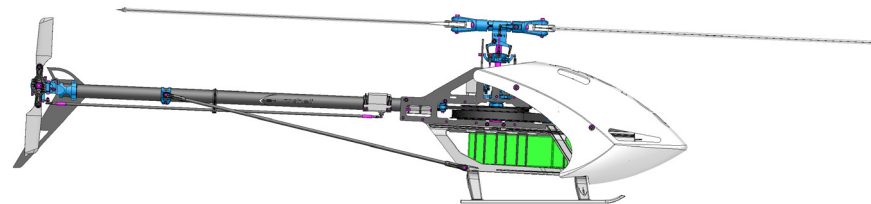
| | | | |
|---|--|--|--|
| <p>Swashplate servos supported: all standard servos (qnty. 3)</p> | | <p>Main blades: standard full carbon blades 690mm - 716mm</p> <p>750mm - 800mm need 800 conversion Kit Protos Max V2 ART. MSH71165</p> | |
| <p>Tail servo supported: all standard servos (qnty. 1)</p> | | <p>Tail blades: standard full carbon blades 105mm to 115mm</p> | |
| <p>Trasmitter / Receiver: Satellites: Spektrum : DSM 2 - DSM X Futaba : S-Bus - S-Bus 2 HOTT SumD MPX Srxl - Hudi</p> <p>Standard receiver: all</p> | | <p>BEC</p> | |
| <p>Battery pack: LiPo 10s to 14s 4000/5500mAh</p> | | <p>ESC : at least 160 A High Voltage</p> | |



Motor pinion teeth choice



| Fly style | Pinion | RPM (520Kv motor) |
|-------------|------------------------------|----------------------|
| Beginner | 18T ART. MSH71226 (Optional) | 1800 |
| Sport | 19TART. MSH71227 (Optional) | 1950 |
| Soft 3D | 20T ART. MSH71228 | 2100 |
| 3D | 21T ART. MSH71229 (Optional) | 2150 |
| Hard 3D | 22T ART. MSH71230 (Optional) | 2250 |
| Hardcore 3D | 23T ART. MSH71231 (Optional) | 2350 |



How to read this manual

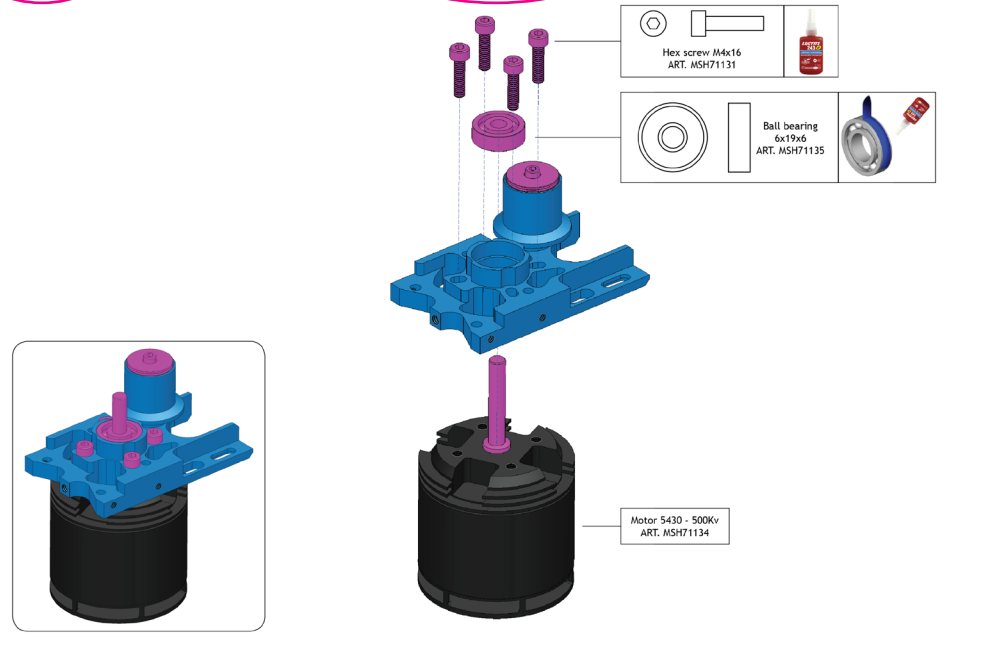


1 Box where you can find all big parts

Box and bag where you can find washers, bearings, screws and all other small parts

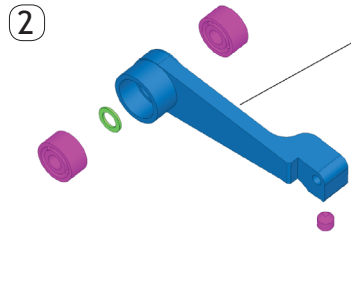
box E
where i can find the BIG PARTS

box F bag A1
where i can find screws, ball bearings and stuff like that



10

Instructions Manual PROTOS V2 LEFFERO



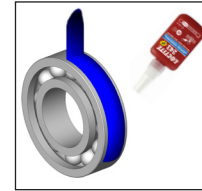
Main head antitorion arm
ART. MSH71061

Pin 2x12
ART. MSH71061
ART. MSH71062

Washout uniball arm
ART. MSH71062

MSH spare part code

3



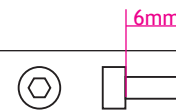
Apply a thin layer of threadlock on the external part of the ball bearing

4



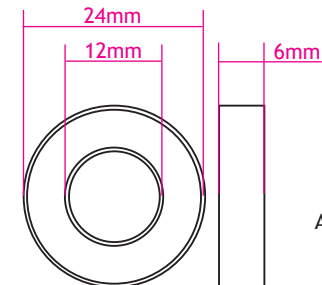
Pay attention to the instruction step behind this icon

5



Hex screw M3x6
ART. MSH71108

1:1



Ball bearing
12x24x6
ART. MSH71155

box A

where I can find the BIG PARTS

box F bag A1

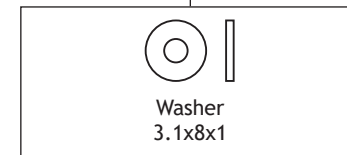
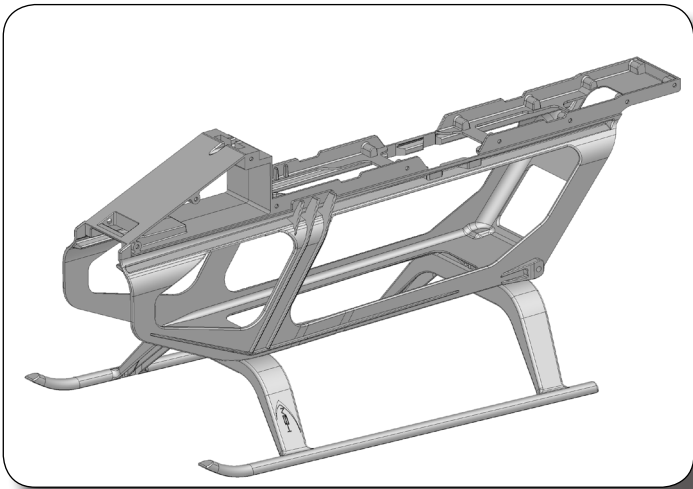
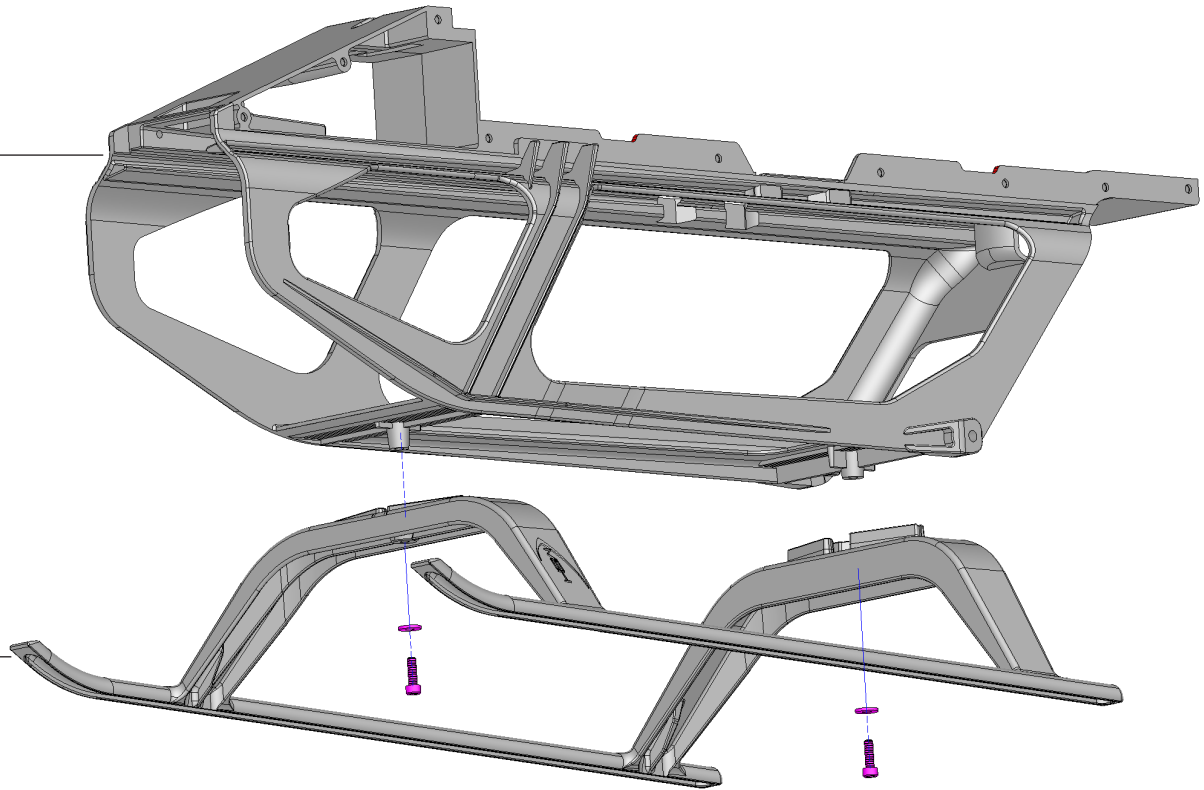
where I can find screws, ball bearings and stuff like that



Main plastic frame v2
Leggero
ART. MSH71225

Landing gear
Gorilla Gear
ART. MSH71172
OPTIONAL

Landing gear White
Gorilla Gear
ART. MSH7173

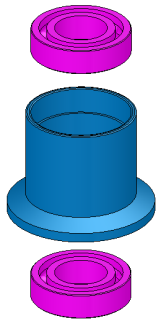


box G

where I can find the BIG PARTS

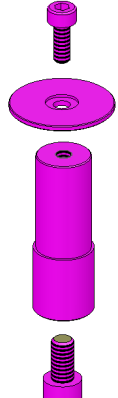
box F bag A1

where I can find screws, ball bearings and stuff like that

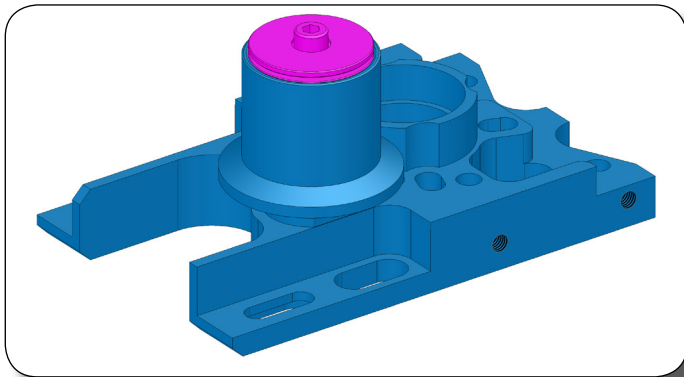
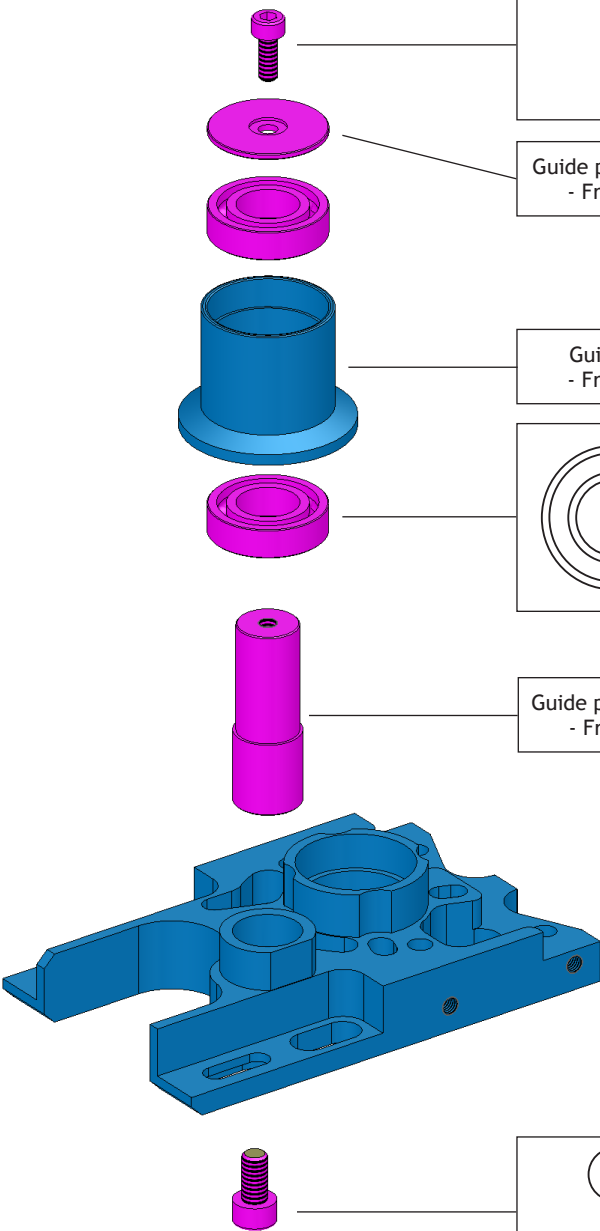



PRE-ASSEMBLED

Guide pulley
- Front side -
ART. MSH71136



Guide pulley support
- Front side -
ART. MSH71133

Hex screw M3x8
ART. MSH71109

Guide pulley washer
- Front side -

Guide pulley
- Front side -

Ball bearing
10x19x5
ART. MSH71071

Guide pulley support
- Front side -

Motor mount
ART. MSH71132

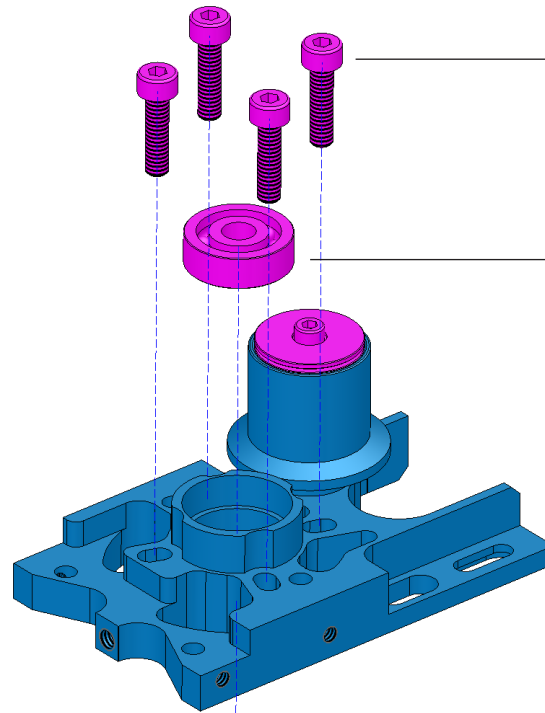
Hex screw M4x8
ART. MSH71117

box E

where I can find the BIG PARTS

box F bag A1

where I can find screws, ball bearings and stuff like that

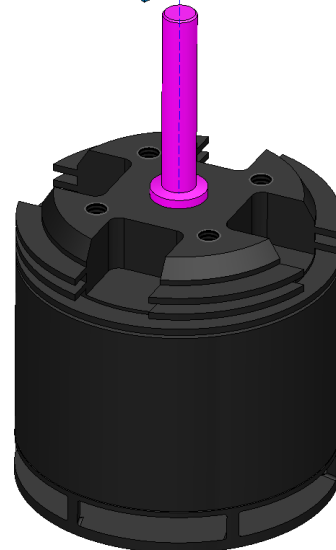
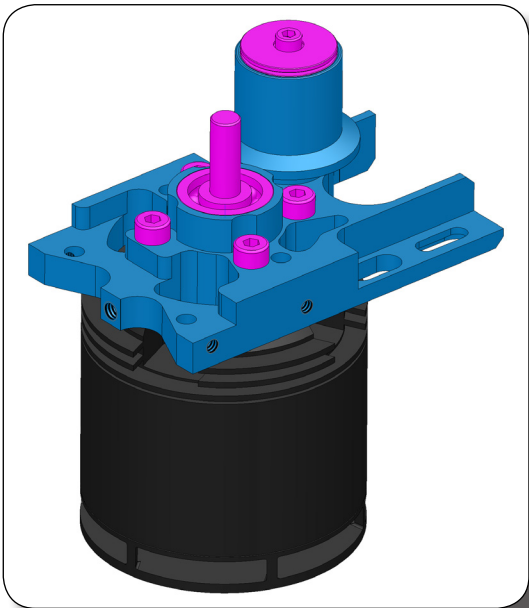


| | | |
|----------------------------------|--|--|
| | | |
| Hex screw M4x16 ART. MSH71131 | | |

| | | |
|---|--|--|
| | | |
| Ball bearing 6x19x6 ART. MSH71135 | | |
| For 6mm motor shaft | | |



| | | |
|---|--|--|
| | | |
| Ball bearing 8x19x6 ART. MSH71162 | | |
| For 8mm motor shaft | | |



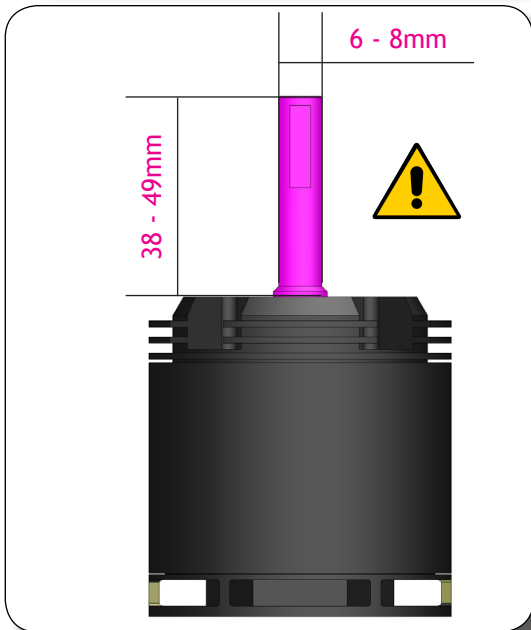
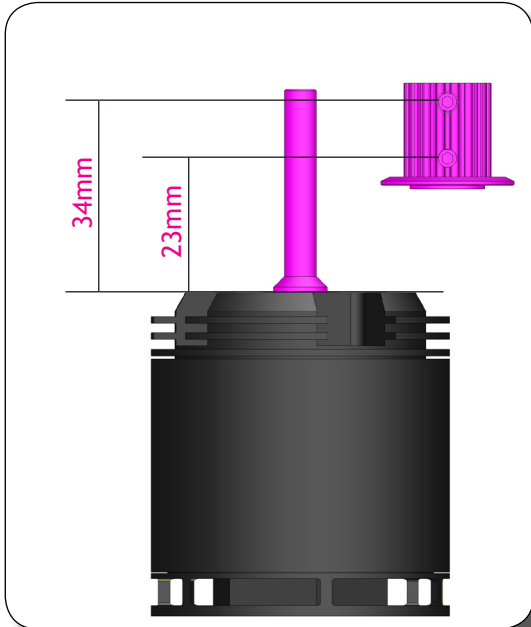
NOT INCLUDED

box F bag A1

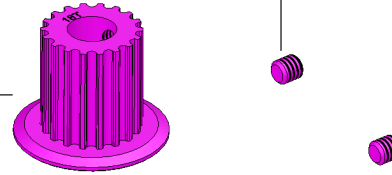


where I can find the BIG PARTS

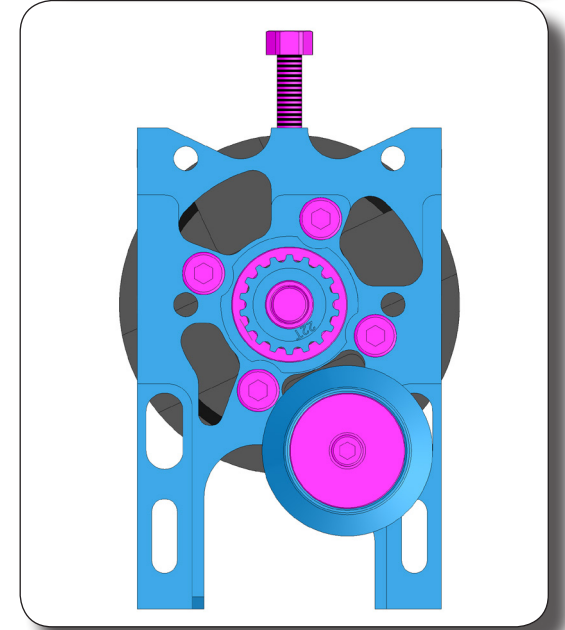
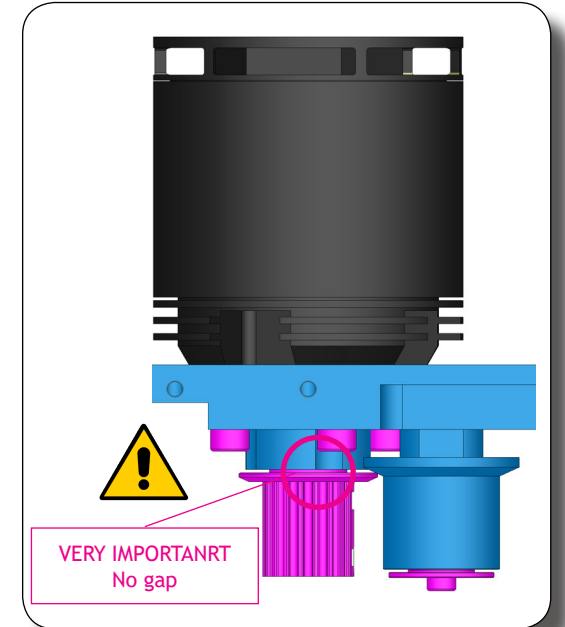
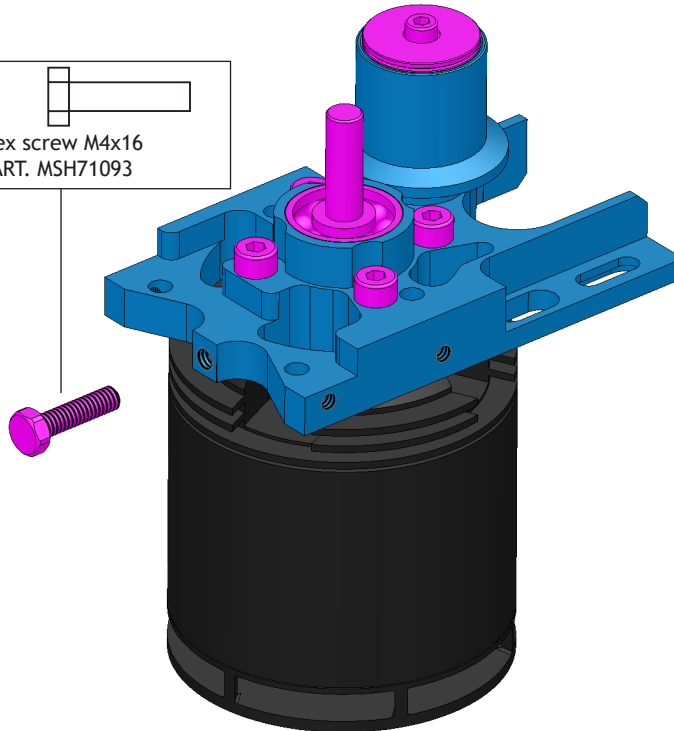
where I can find screws, ball bearings and stuff like that



Pinion 20T V2 r2 Alu
ART. MSH71228

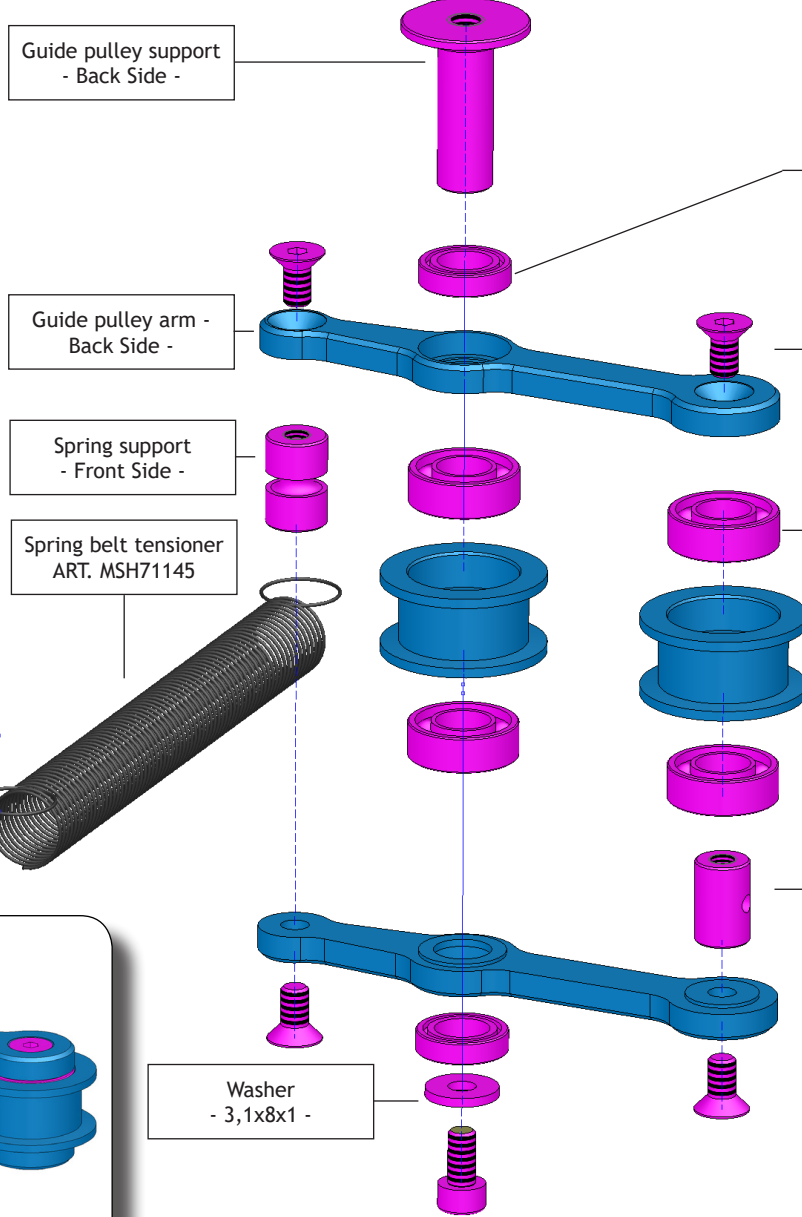
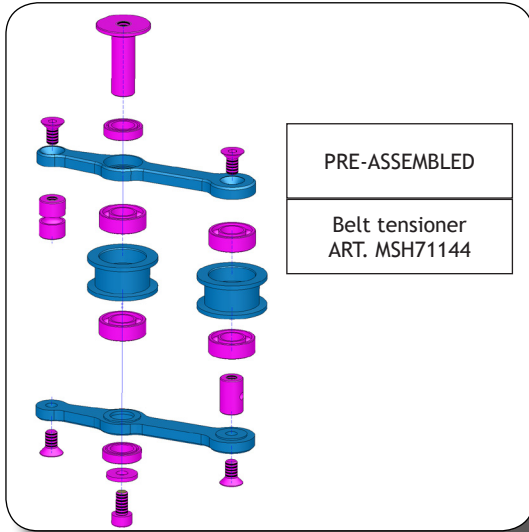


Hex screw M4x16
ART. MSH71093



PROTOS
V2 LEFFERO

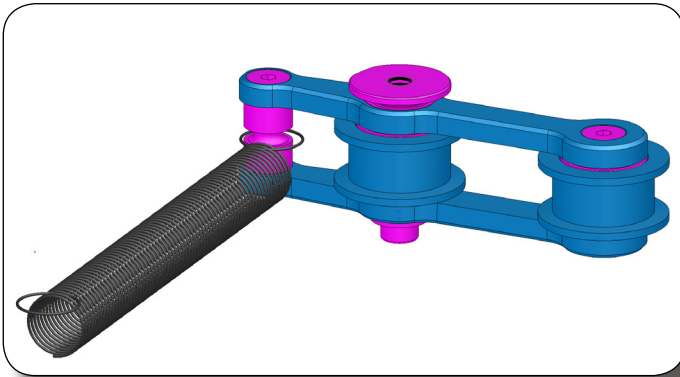
Instructions Manual

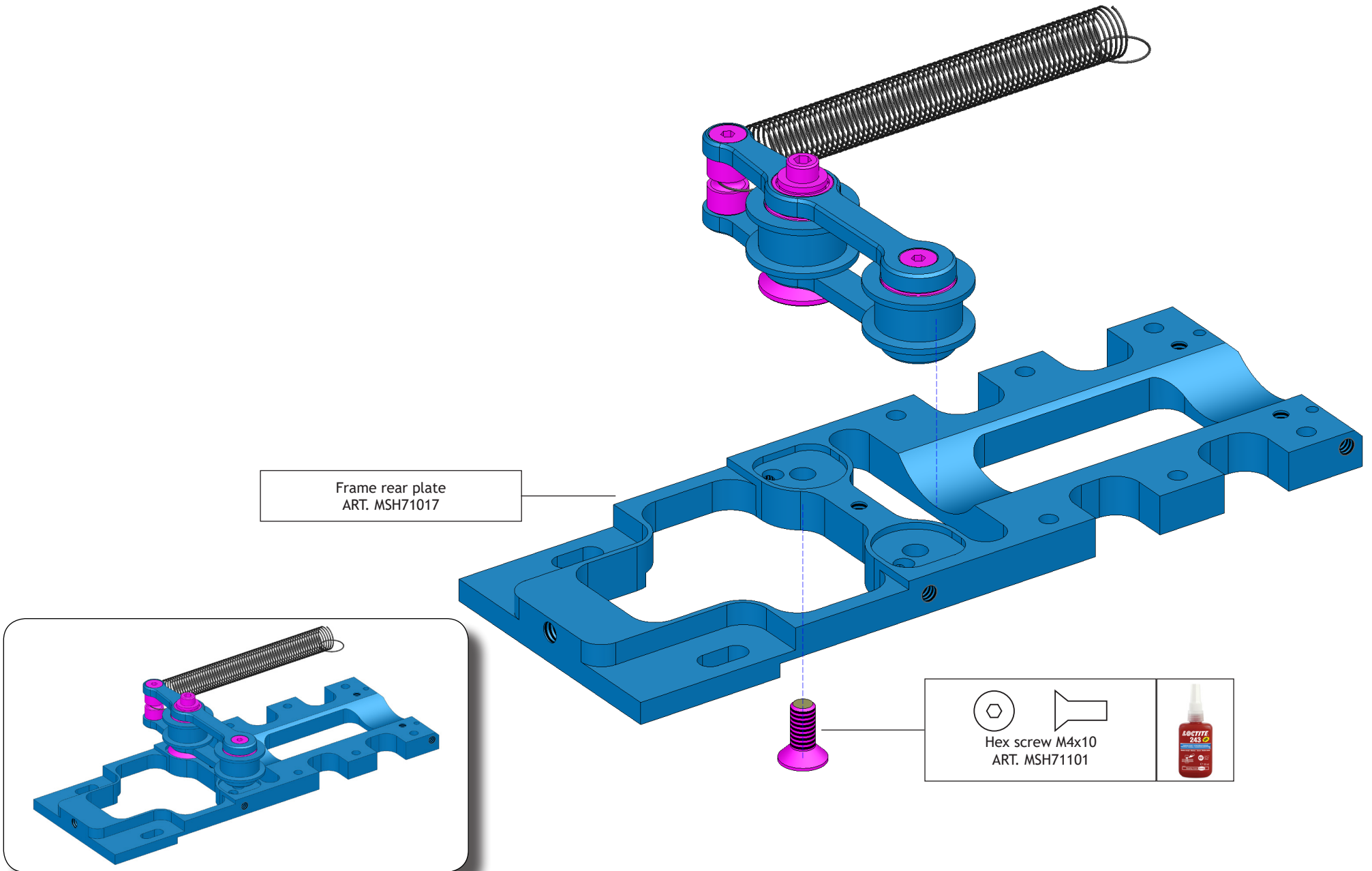


Ball bearing
6x10x2,5
ART. MSH51073




Hex screw M3x5
ART. MSH71140

Ball bearing
6x12x4
ART. MSH71082

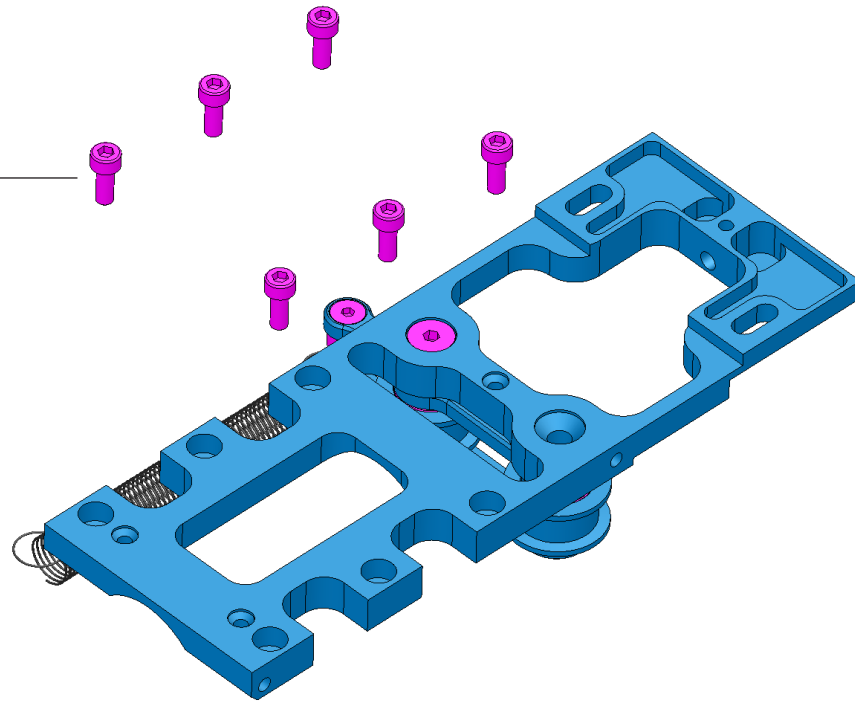




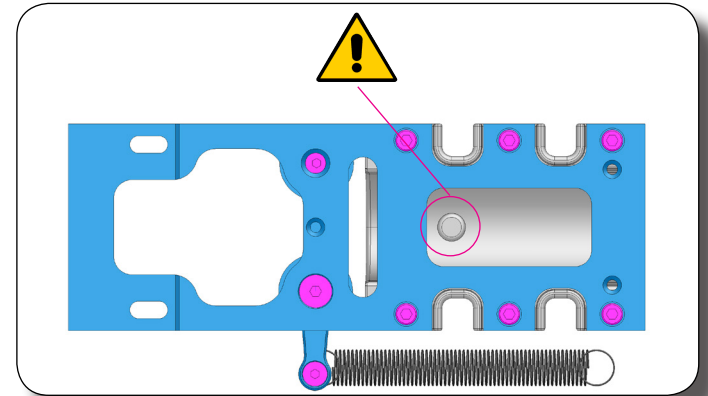
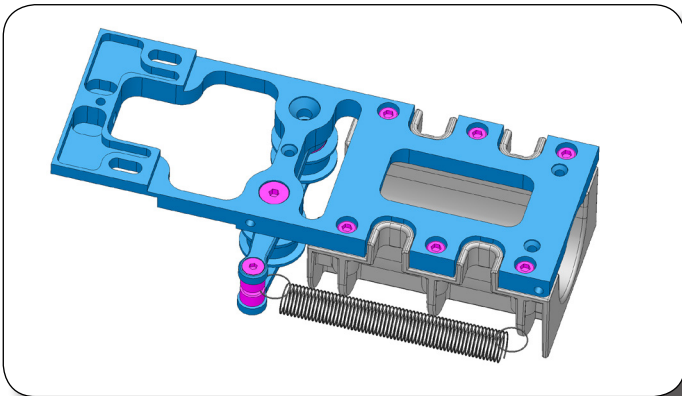
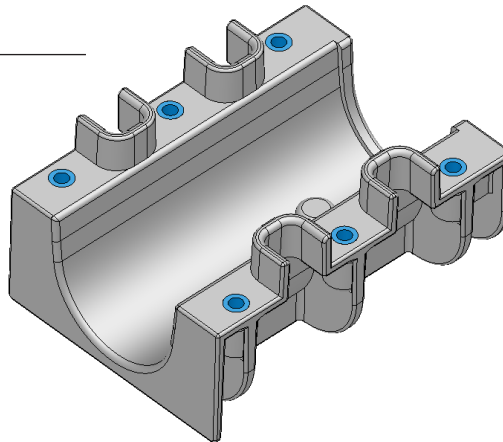
Do not fully thighten yet

Hex screw M3x8
ART. MSH71109



Tail boom frame clamp
ART. MSH71028



box G + B

where I can find the BIG PARTS

box F bag A2 + B1

where I can find screws, ball bearings and stuff like that



X carbon frame
ART. MSH71018

Frame central plate
ART. MSH71157

Hex screw M3x8
ART. MSH71109

Do not fully tighten yet

Hex screw M4x8
ART. MSH71117

Do not fully tighten yet

M4 Nut
ART. MSH71097

Front belt tension regulation

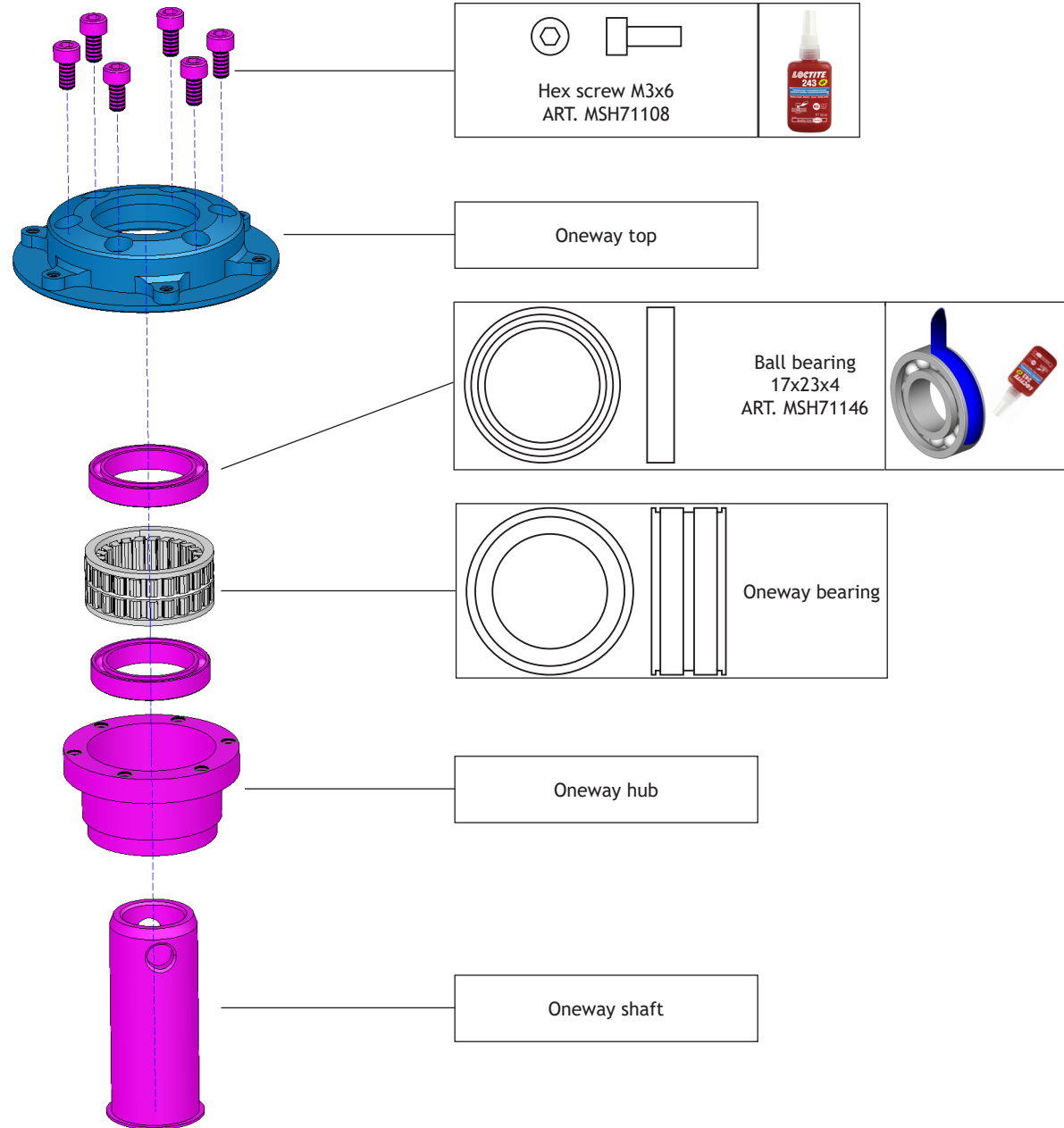
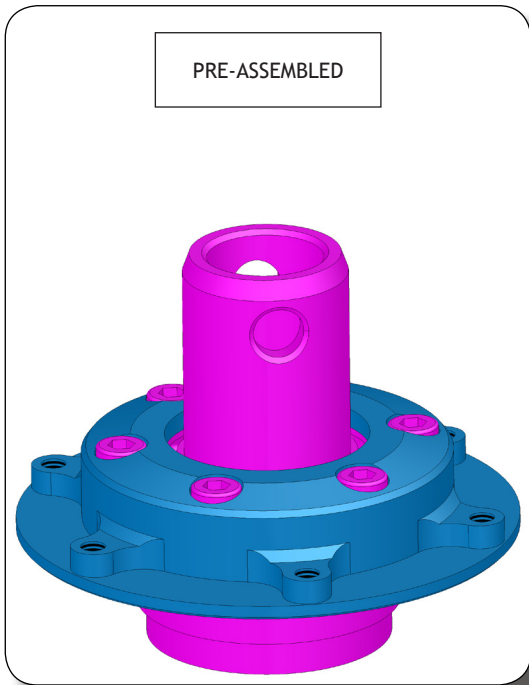
Rear belt tension regulation

box A

where I can find the BIG PARTS

box

where I can find screws, ball bearings and stuff like that

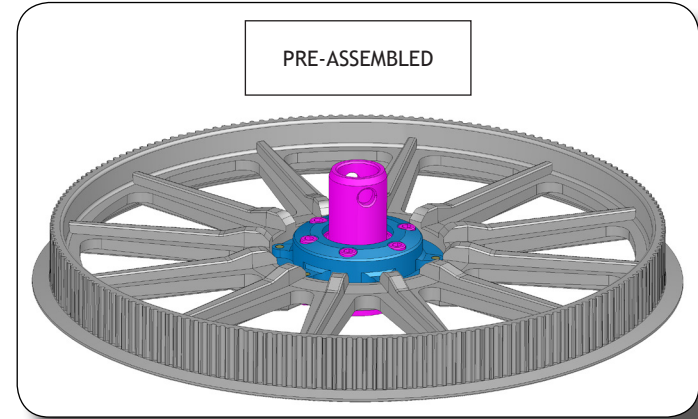
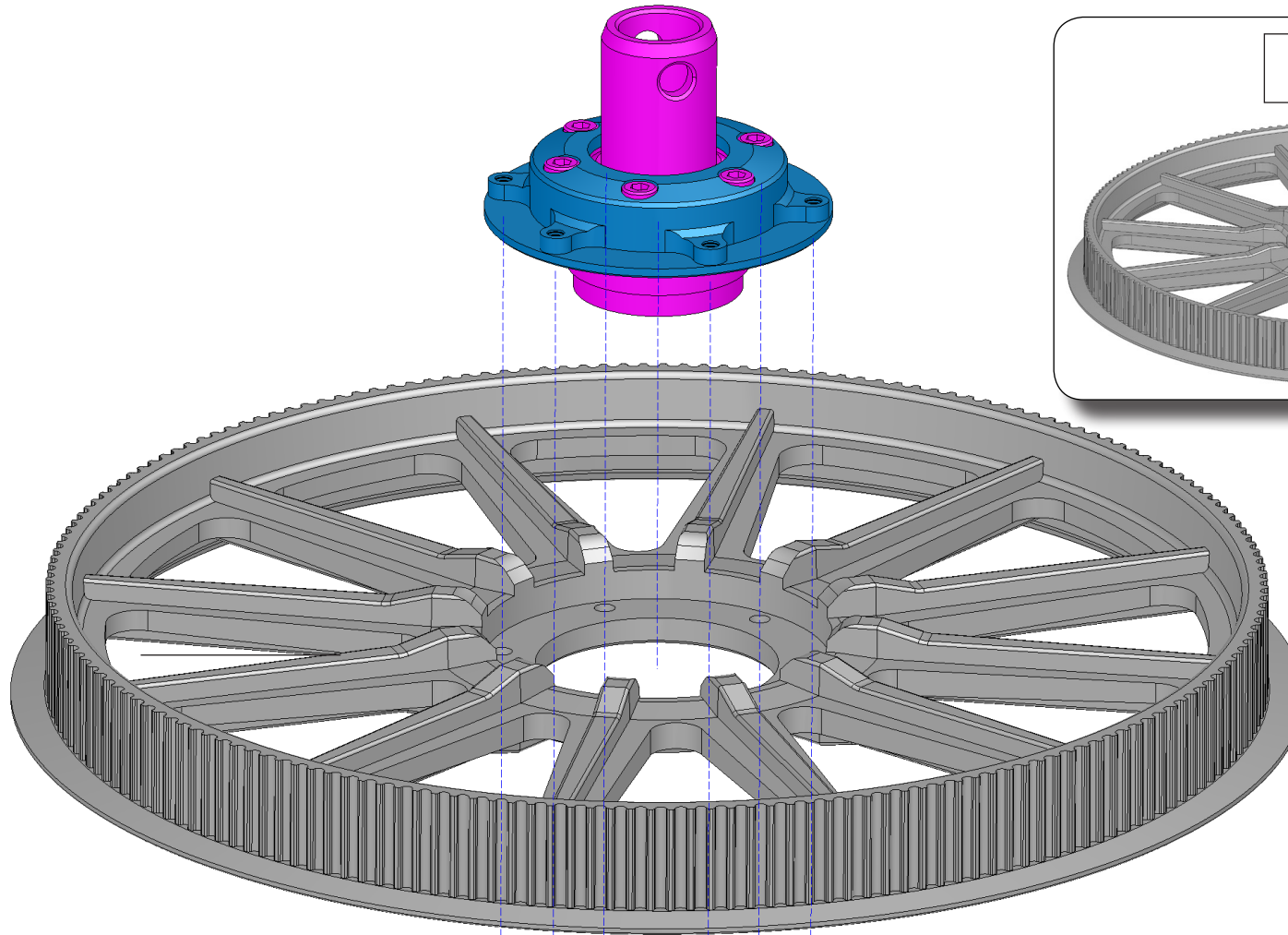


box A

where I can find the BIG PARTS

box

where I can find screws, ball bearings and stuff like that

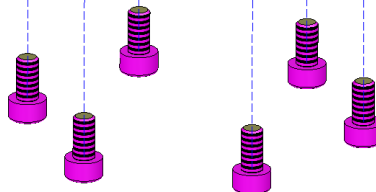


Main pulley V2 r2 Leggero
ART.MSH71234





Hex screw M3x6
ART. MSH71108



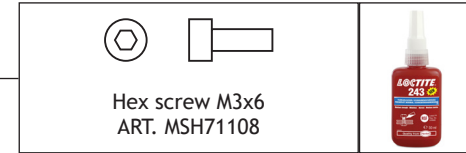
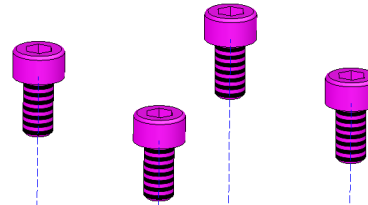
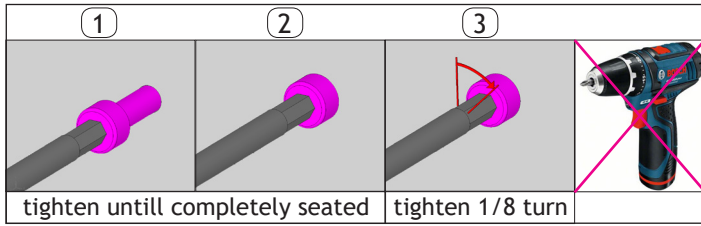
| | | | |
|---------------------------------|-------|------------------|--|
| ① | ② | ③ | |
| tighten until completely seated | | tighten 1/8 turn | |

box A

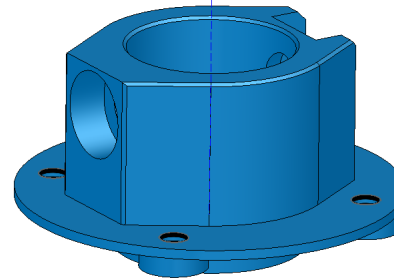
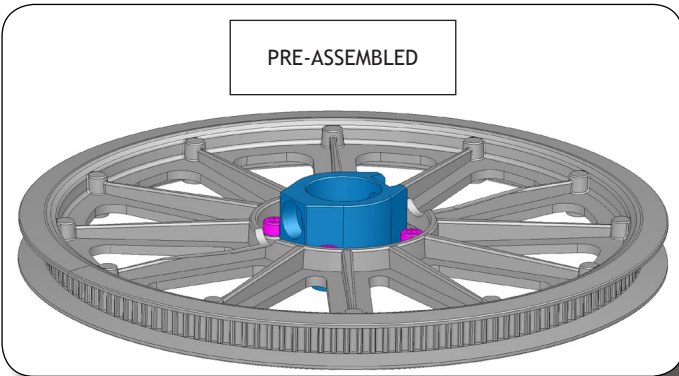
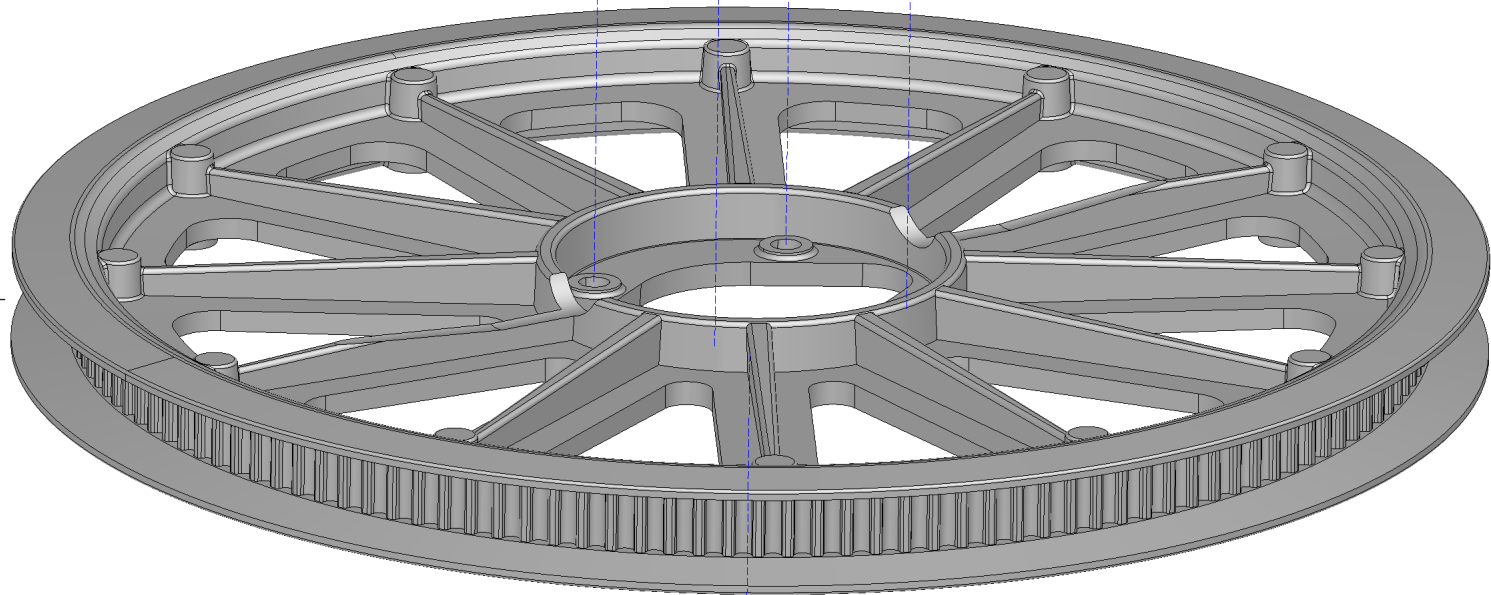
where I can find the BIG PARTS

box

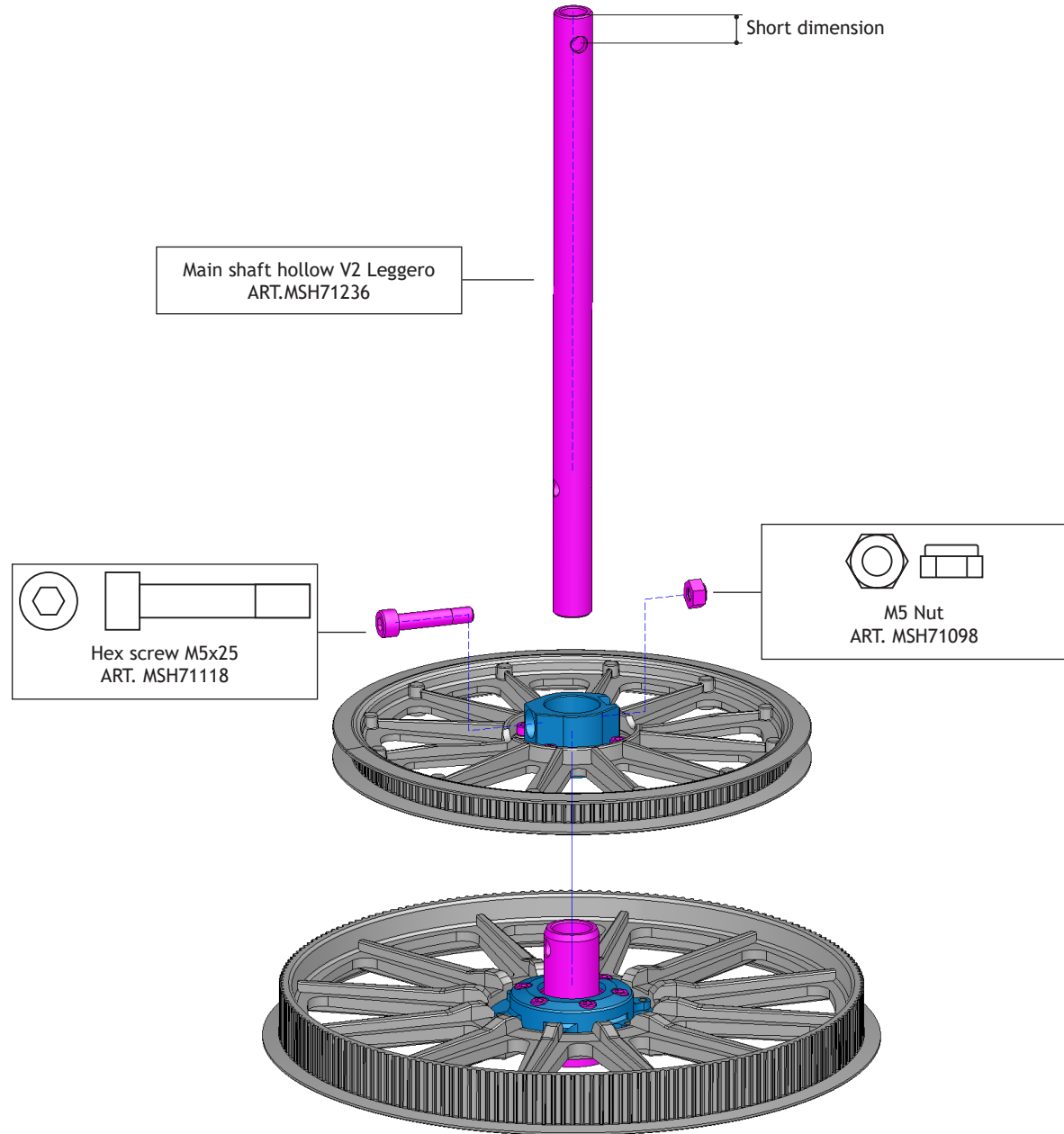
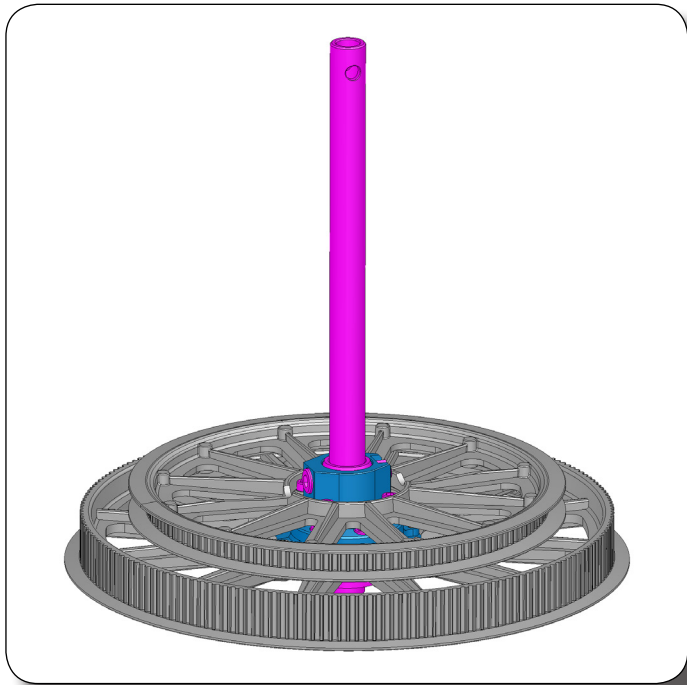
where I can find screws, ball bearings and stuff like that



Autorotation pulley Leggero
ART.MSH71235



Autorotation pulley support



box A + box B

where I can find the BIG PARTS

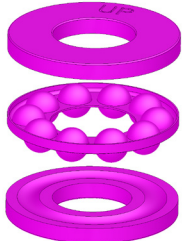
box F bag A2

where I can find screws, ball bearings and stuff like that

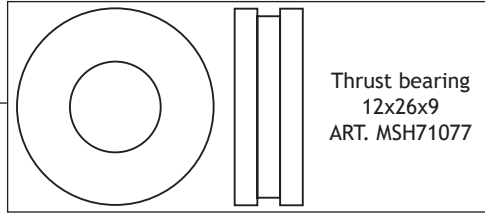


Apply grease on thrust bearing

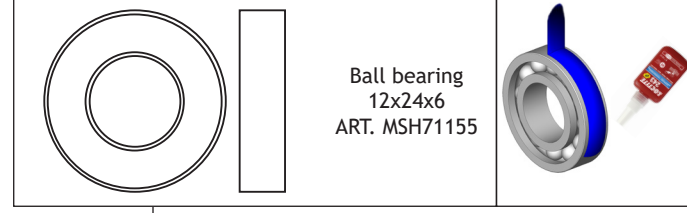
Internal hole SMALLER



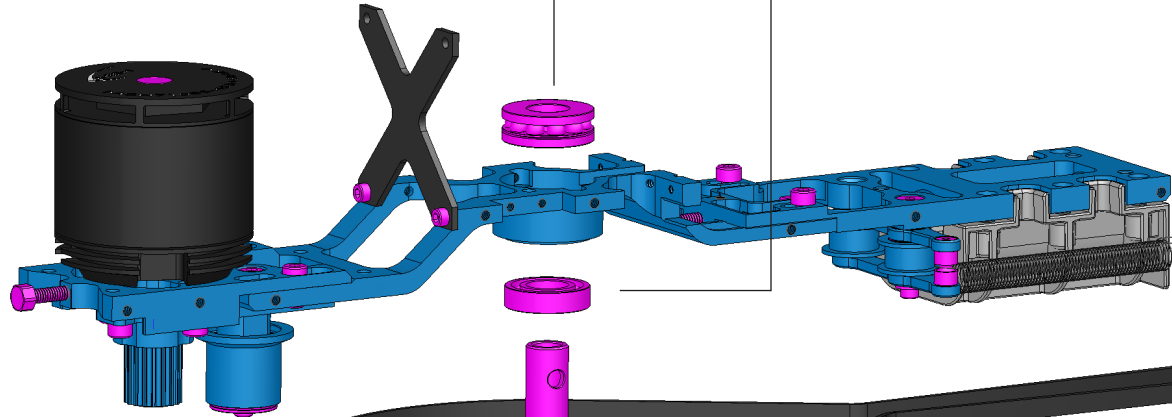
Internal hole BIGGER



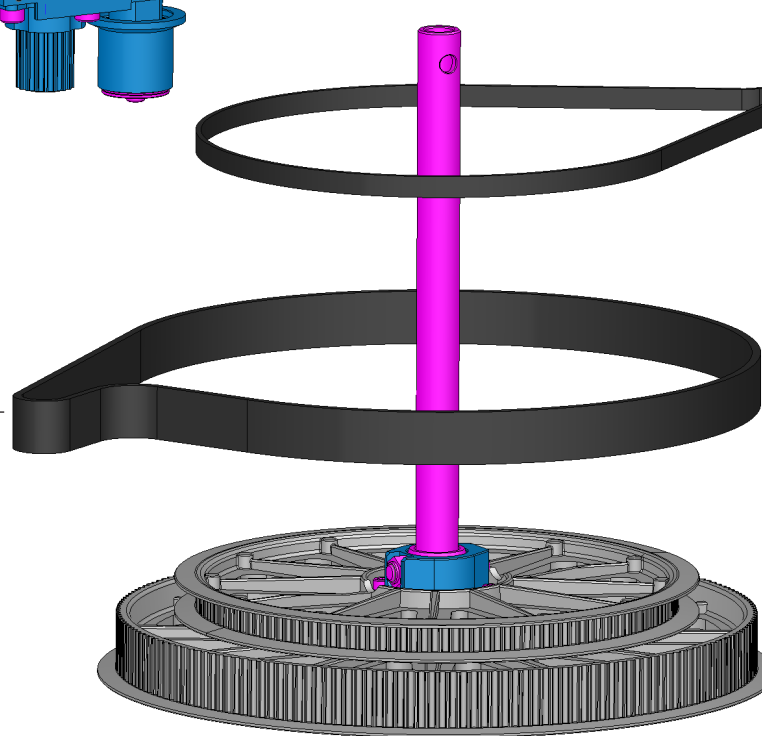
Thrust bearing
12x26x9
ART. MSH71077



Ball bearing
12x24x6
ART. MSH71155



Front belt
ART.MSH71154



Tail belt 700
ART.MSH71152

Tail belt 770
ART.MSH71206
OPTIONAL

Tail belt 800
ART.MSH71153
OPTIONAL

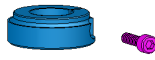
box F bag A2



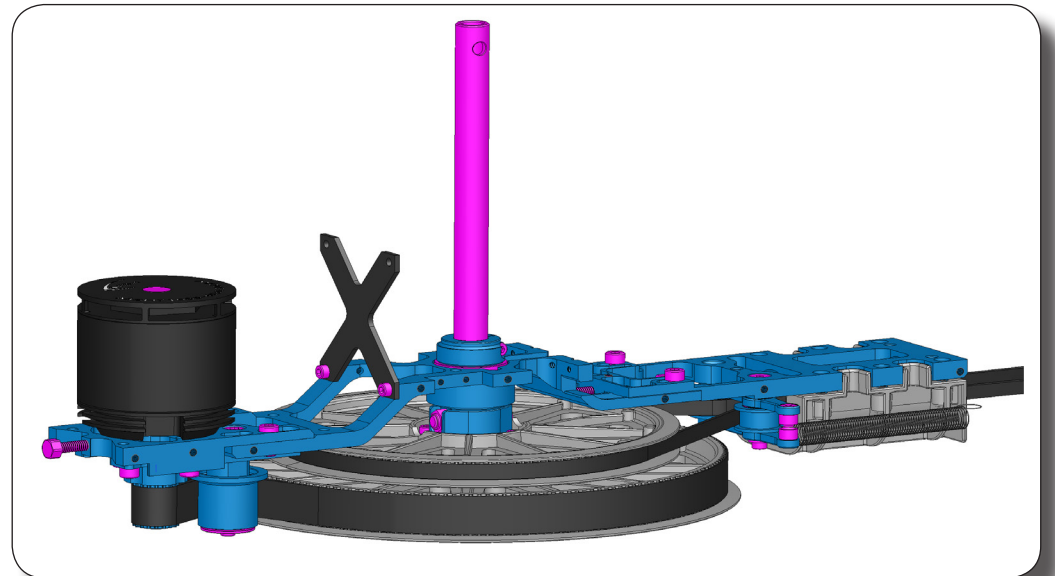
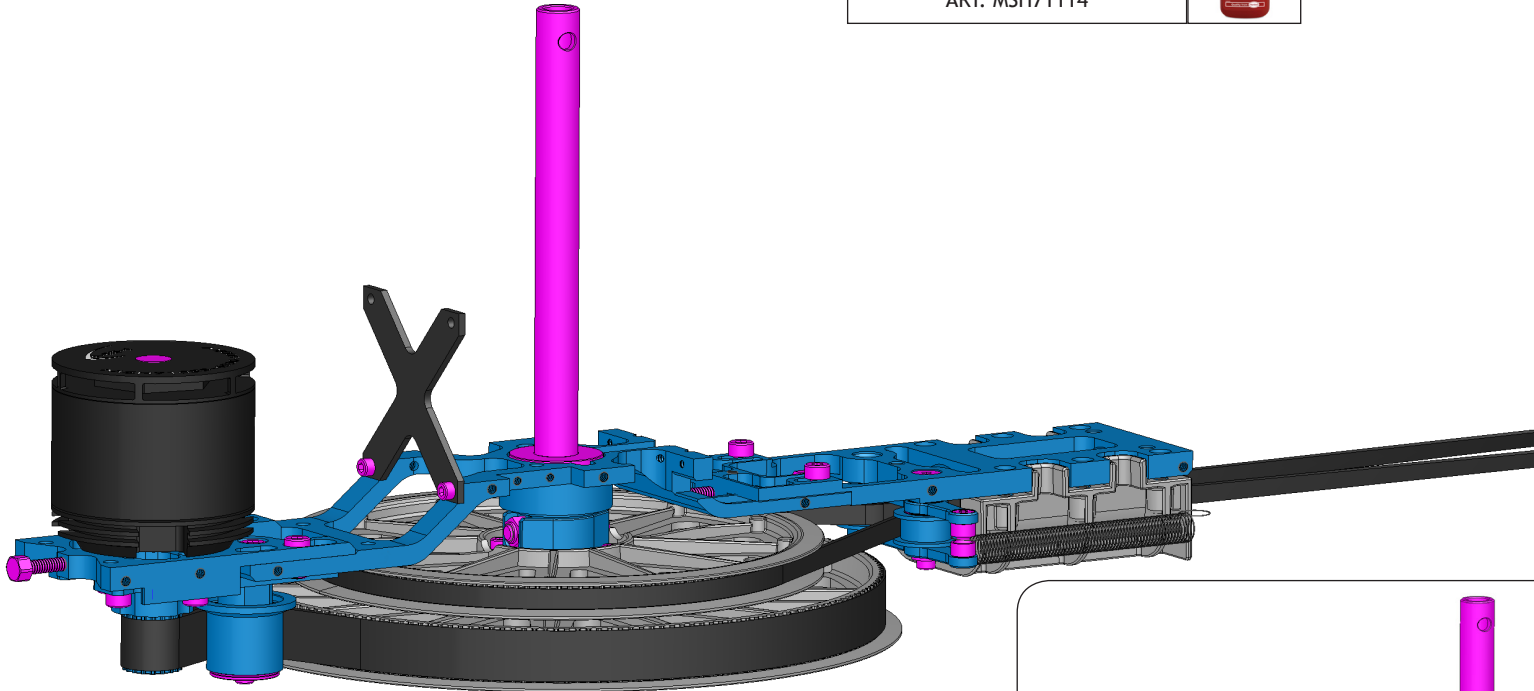
where I can find the BIG PARTS

where I can find screws, ball bearings and stuff like that

Main shaft locking ring
ART. MSH71025



Hex screw M3x10
ART. MSH71114



box B

where I can find the BIG PARTS

box F bag A+A3

where I can find screws, ball bearings and stuff like that

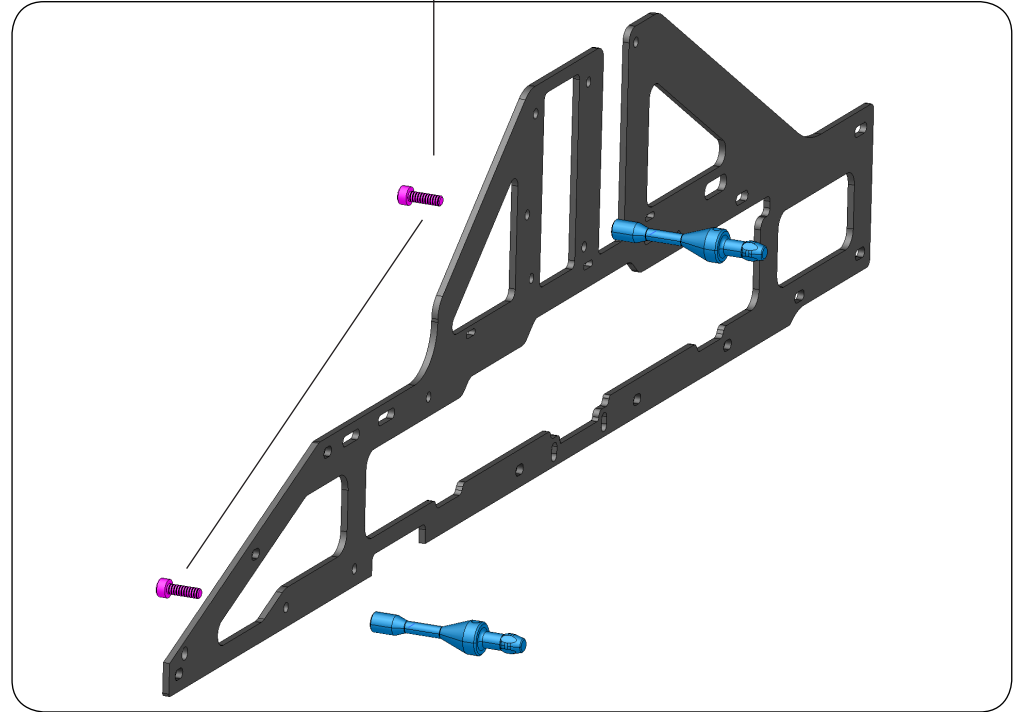
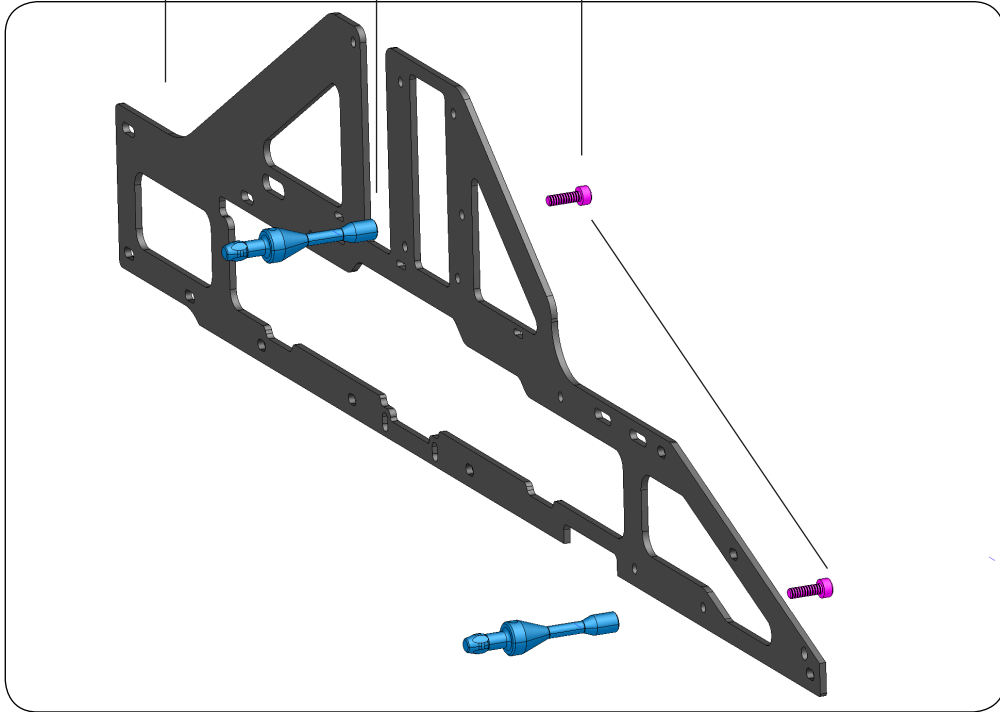


Carbon main frame V2 Leggero
ART. MSH71238

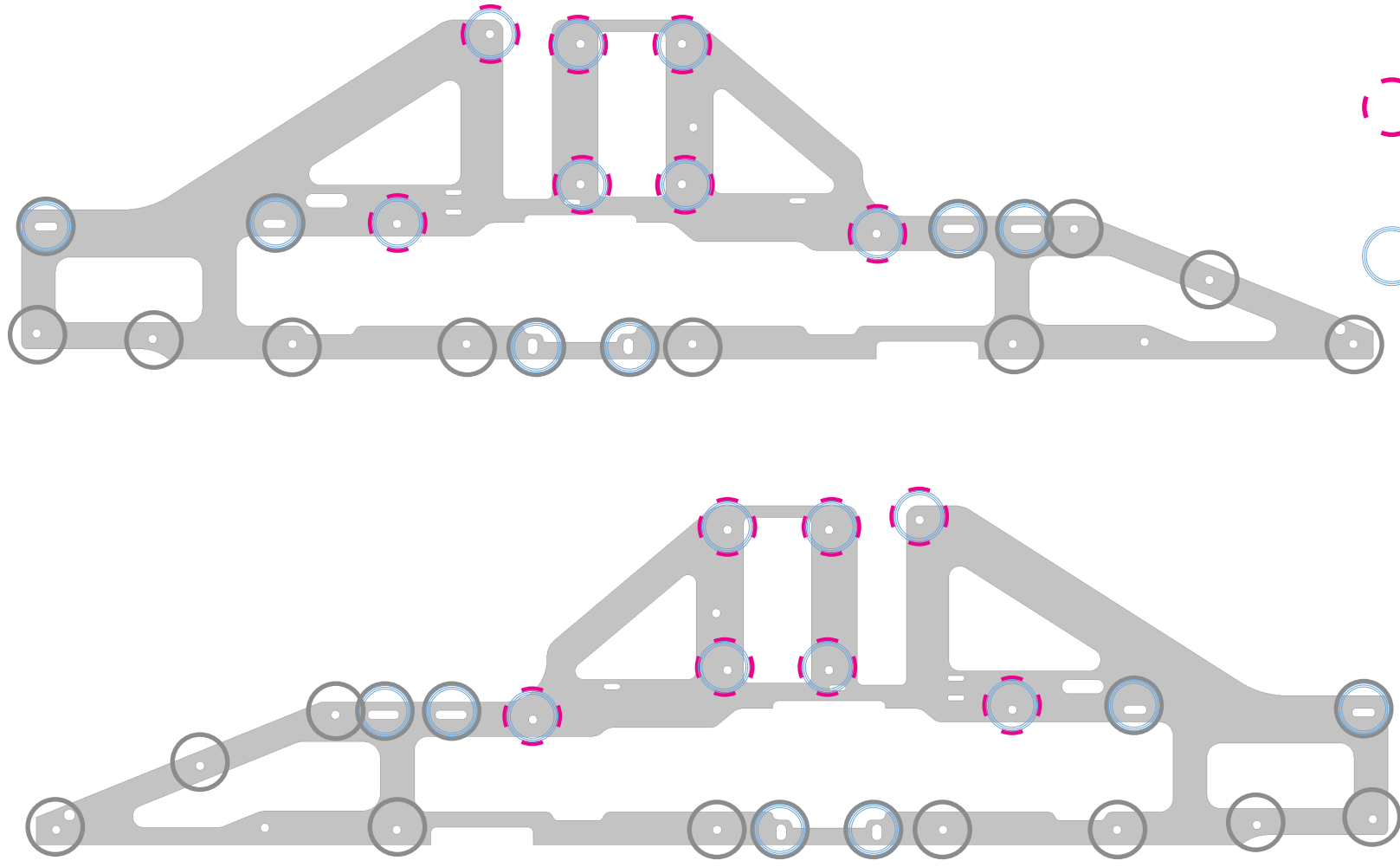
Canopy mount Leggero
ART. MSH7237



Hex screw
M3x8
ART. MSH71109



Screws layout




○

Hex screw
M3x10
ART. MSH71114

○

Hex screw
M3x8
ART. MSH71109

○



box B


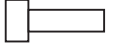
where I can find the BIG PARTS


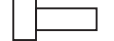
box F bag A3

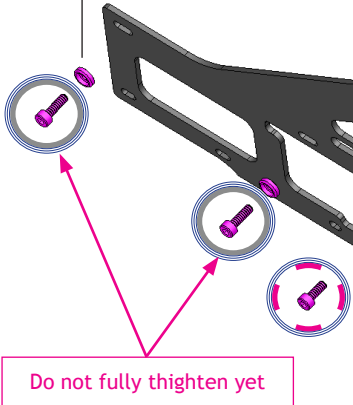
where I can find screws, ball bearings and stuff like that



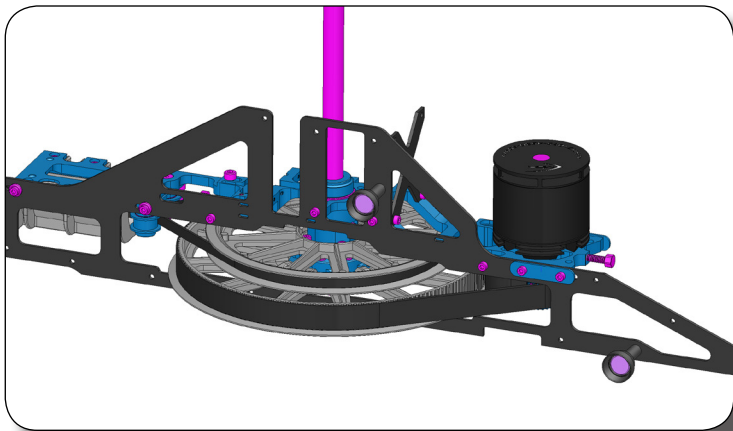
 
MSH Washer
3x8
ART. MSH71091

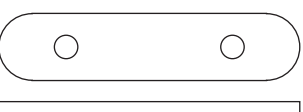
 
Hex screw
M3x10
ART. MSH71114

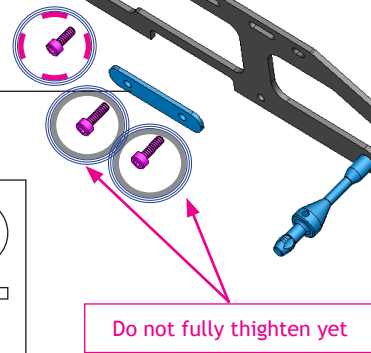
 
Hex screw
M3x8
ART. MSH71109



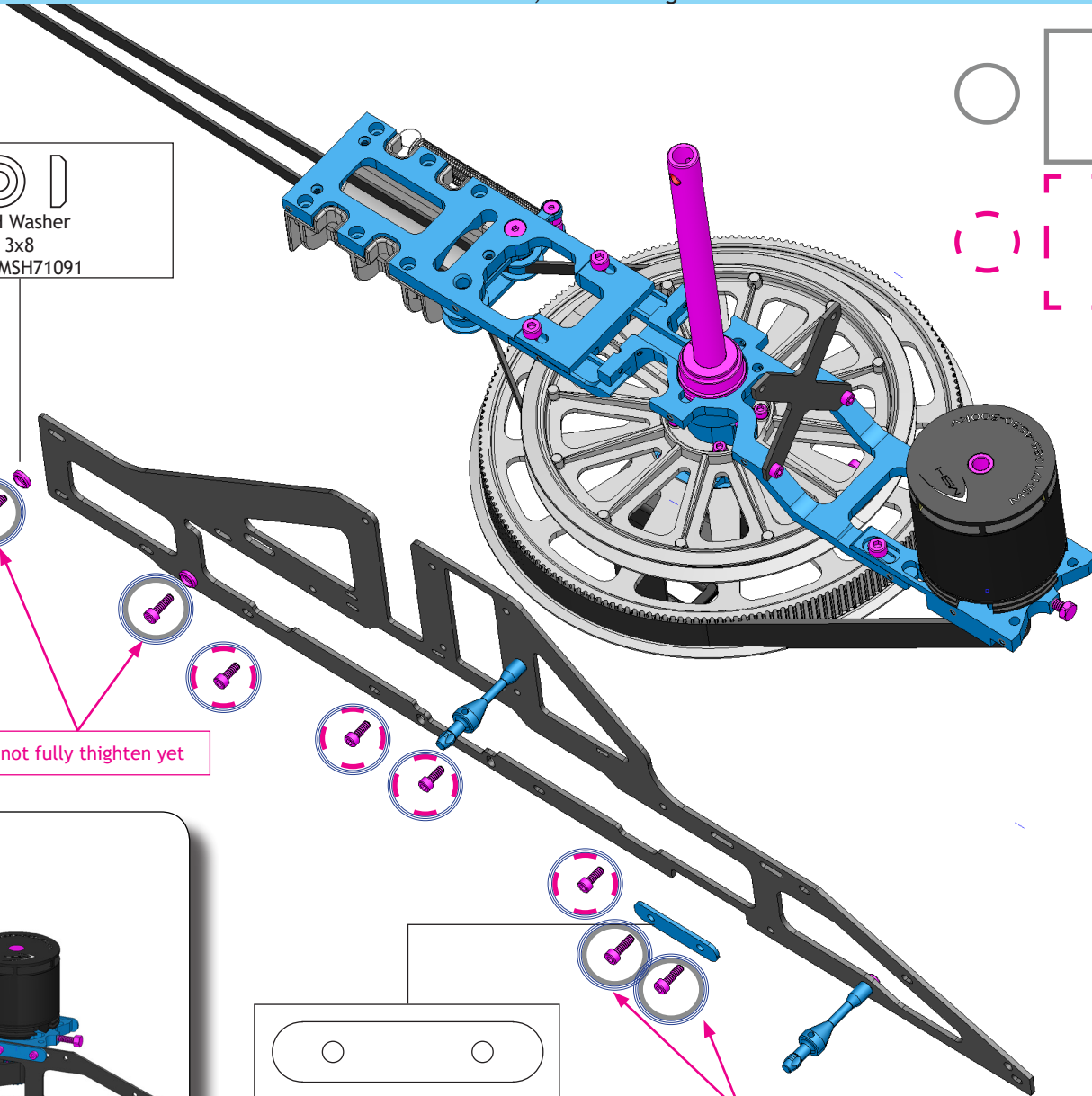
Do not fully tighten yet

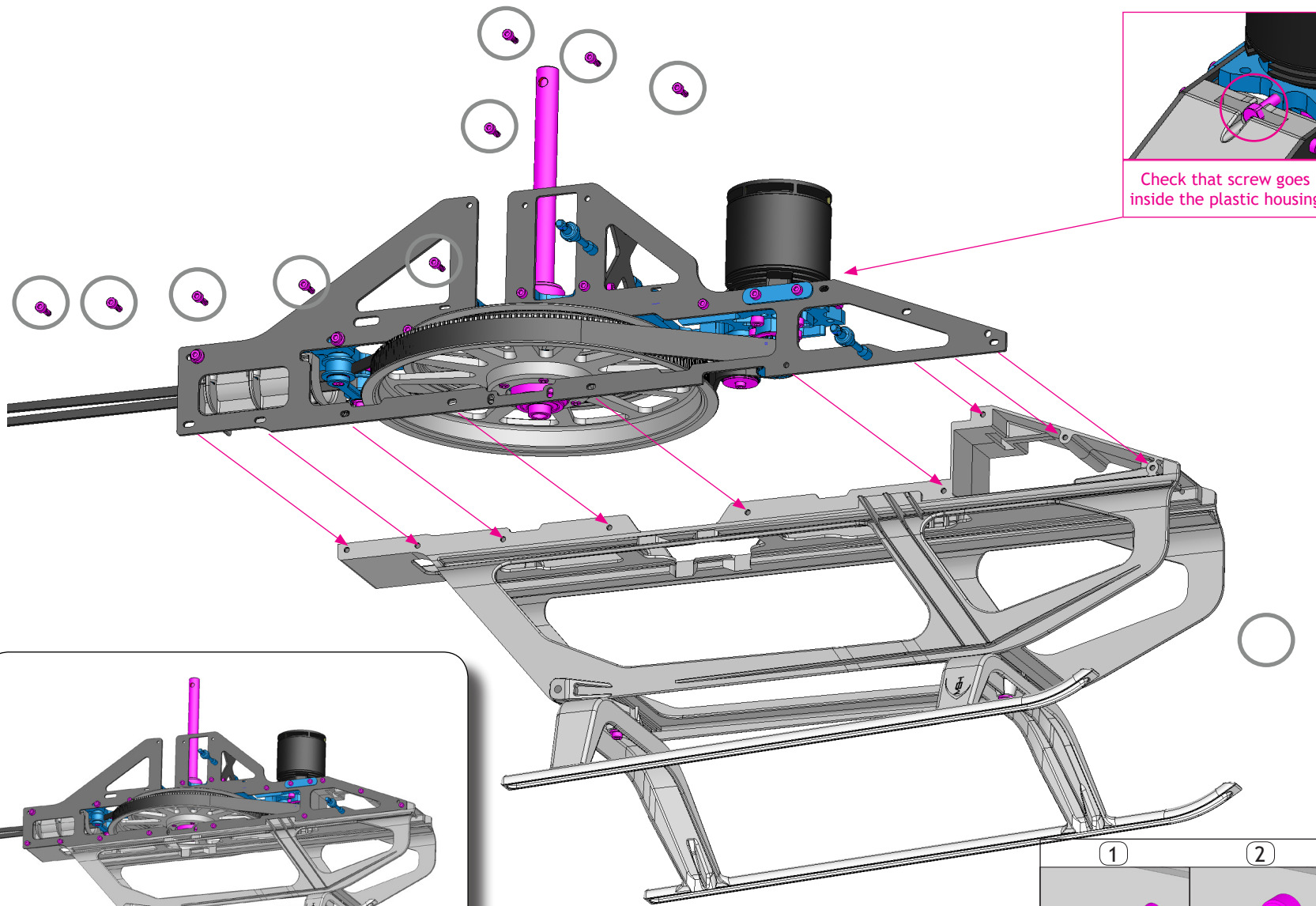



Rectangular washer
ART MSH71021

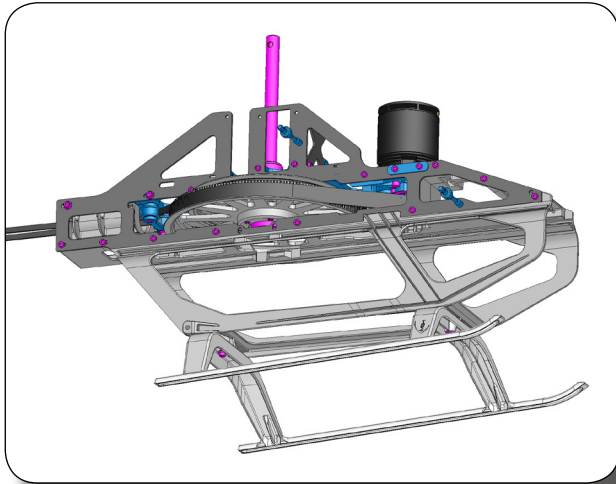


Do not fully tighten yet





Check that screw goes inside the plastic housing



Hex screw
M3x10
ART. MSH71114

| | | | |
|--|---|------------------|--|
| 1 | 2 | 3 | |
| tighten slowly until completely seated | | tighten 1/8 turn | |




box G

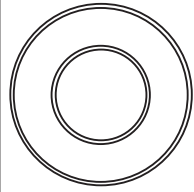
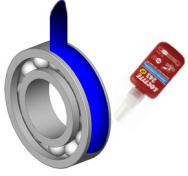
where I can find the BIG PARTS


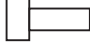

box F bag A3

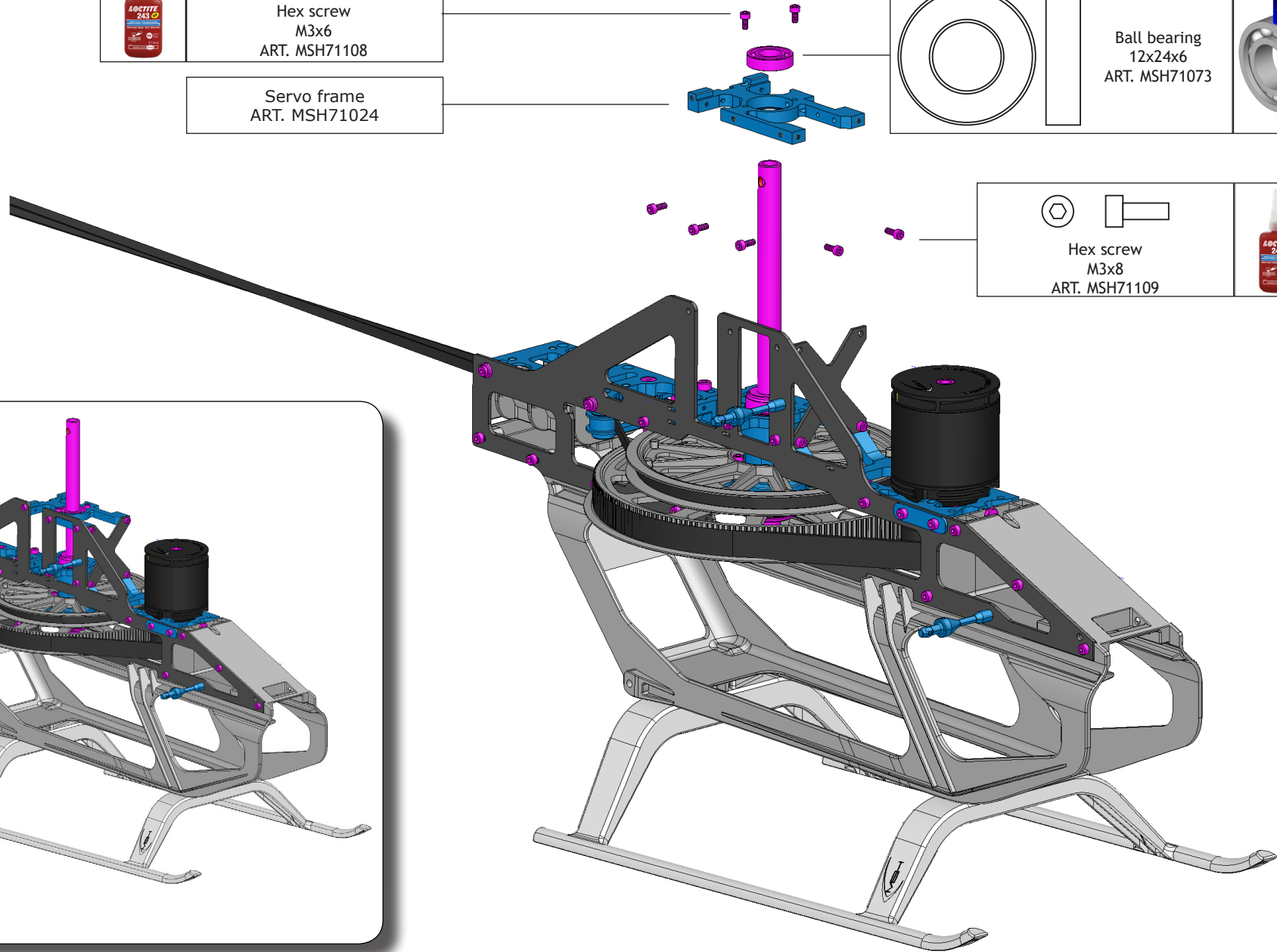
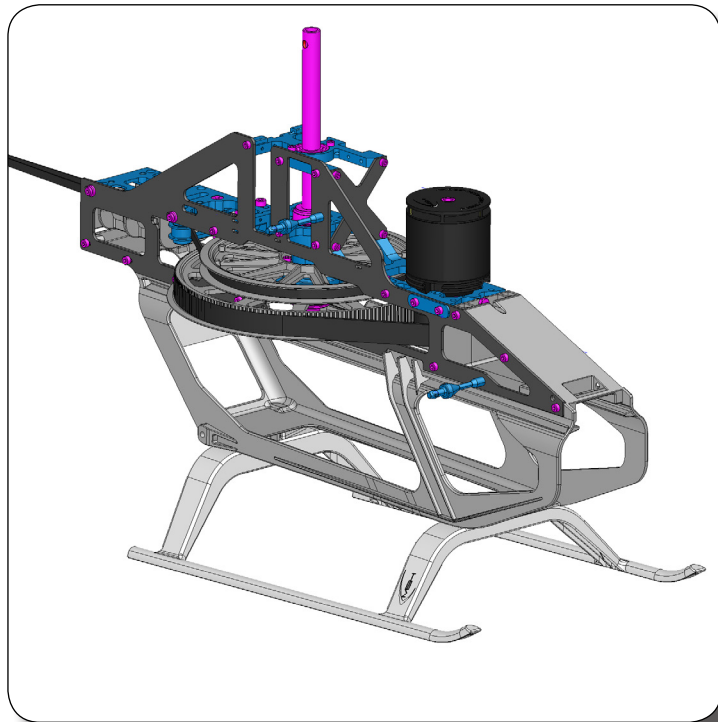
where I can find screws, ball bearings and stuff like that



| | |
|---|---|
|  |   Hex screw M3x6 ART. MSH71108 |
| Servo frame ART. MSH71024 | |

| | | |
|---|--|---|
|  | Ball bearing 12x24x6 ART. MSH71073 |  |
|---|--|---|

| | |
|---|---|
|   Hex screw M3x8 ART. MSH71109 |  |
|---|---|

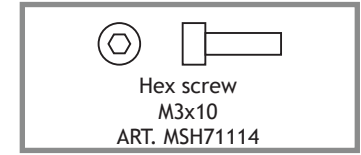
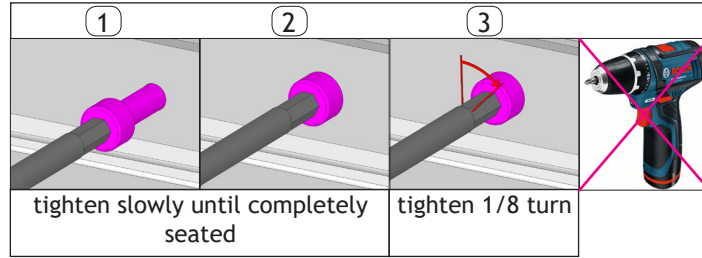
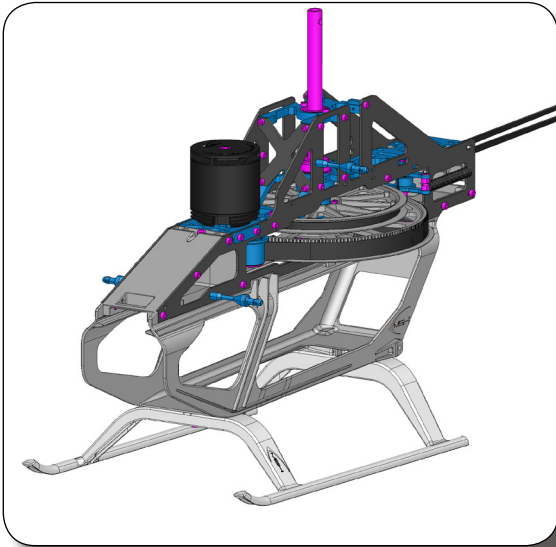


box F bag A4

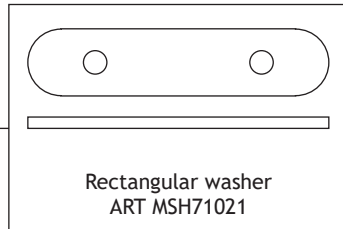
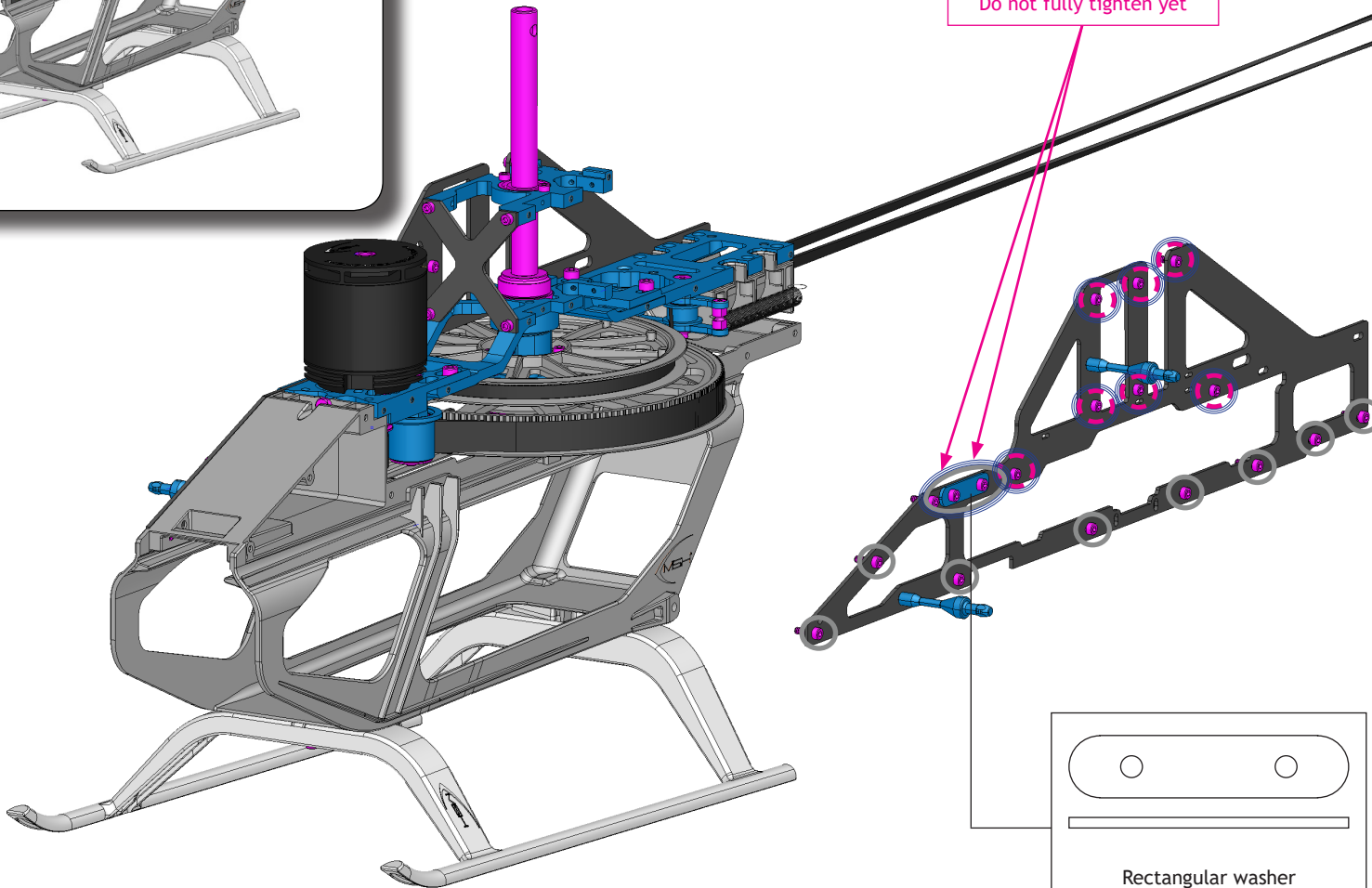


where I can find the BIG PARTS

where I can find screws, ball bearings and stuff like that



Do not fully tighten yet

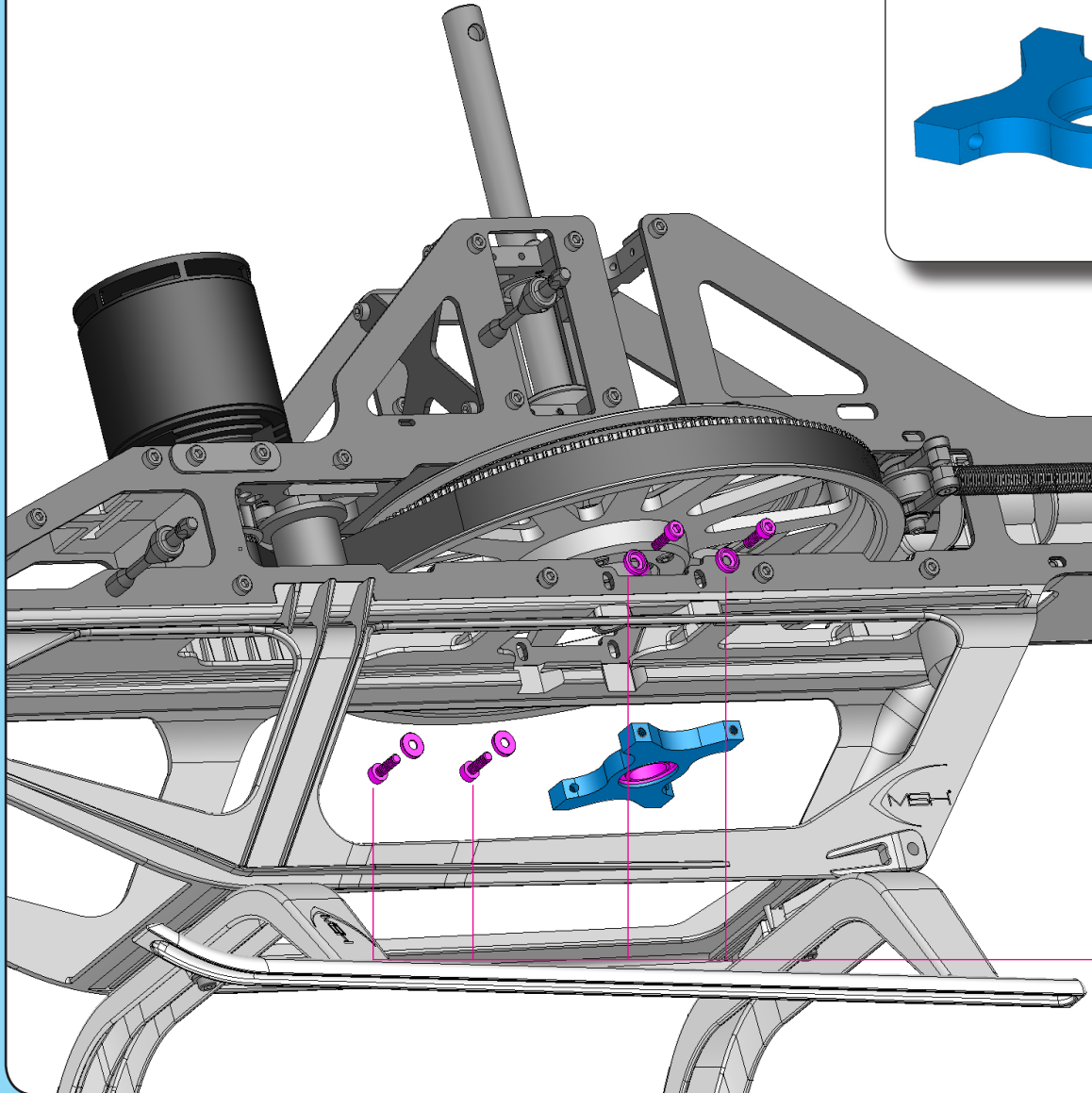
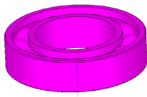
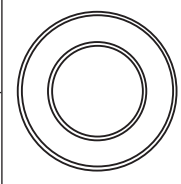


box G

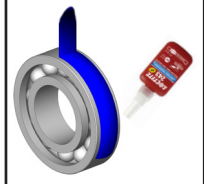
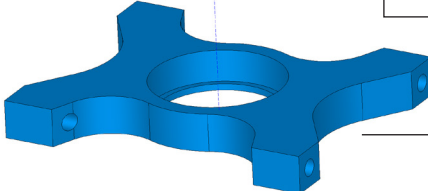
where I can find the BIG PARTS

box F bag A4

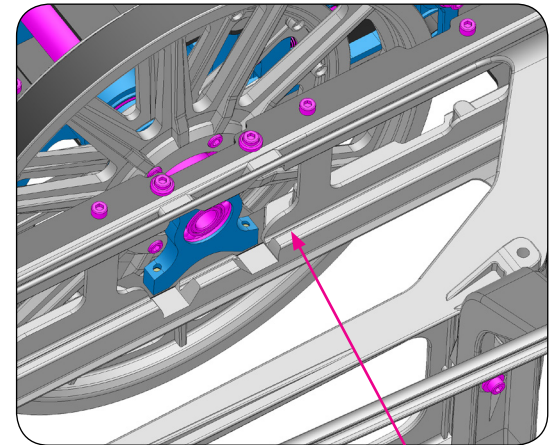
where I can find screws, ball bearings and stuff like that



Ball Bearing
12x21x5
ART. MSH71072


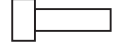
Third bearing support
ART. MSH71023




Press the bearing support upward against the main pulley and tighten the 4 screws

MSH Washer
3x8
ART. MSH71091

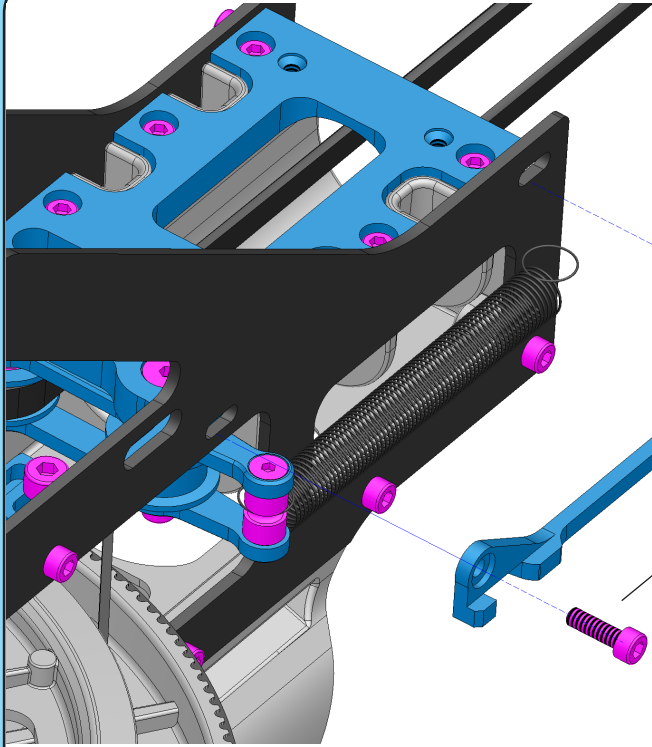



Hex screw
M3x10
ART. MSH71114



where I can find the BIG PARTS

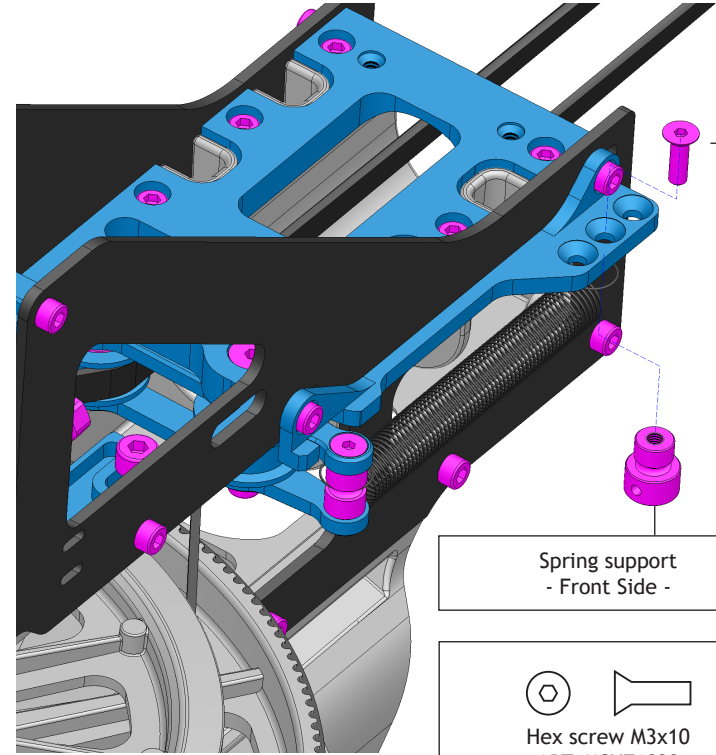
where I can find screws, ball bearings and stuff like that



Do not fully tighten yet



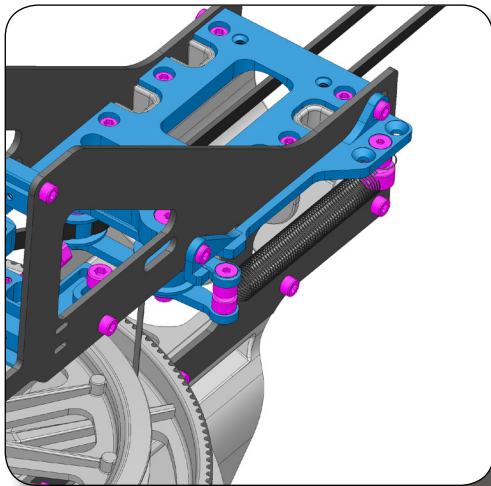
Hex screw M3x10
ART. MSH71114



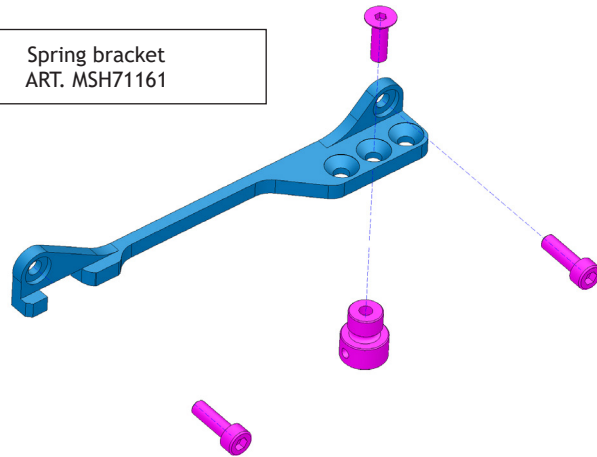
Spring support
- Front Side -



Hex screw M3x10
ART. MSH71099



Spring bracket
ART. MSH71161



Hard 3D

Sport / 3D

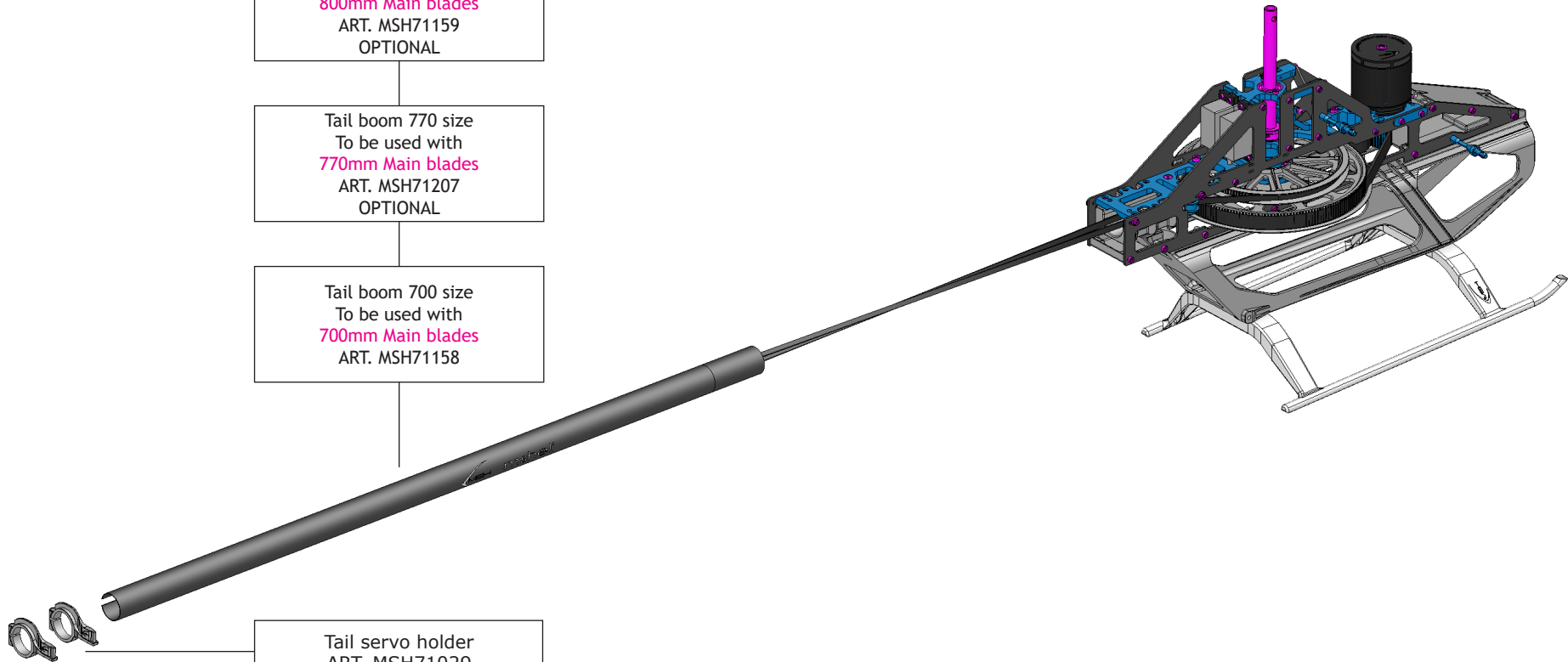
Beginner

Tail boom 800 size
To be used with
800mm Main blades
ART. MSH71159
OPTIONAL

Tail boom 770 size
To be used with
770mm Main blades
ART. MSH71207
OPTIONAL

Tail boom 700 size
To be used with
700mm Main blades
ART. MSH71158

Tail servo holder
ART. MSH71029

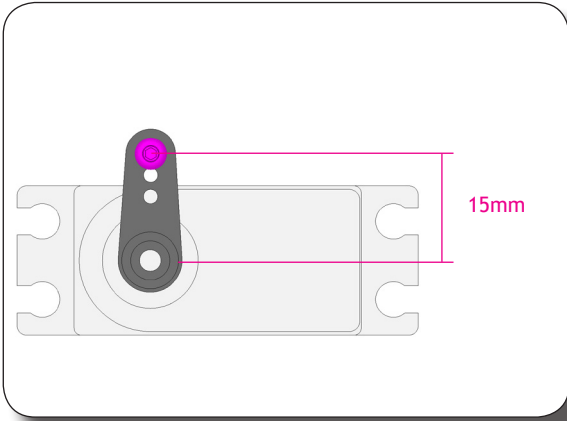


box B

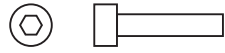
where I can find the BIG PARTS

box F bag B +B1

where I can find screws, ball bearings and stuff like that



15mm



Hex screw
M3x14
ART. MSH71112

Carbon servo washer
ART. MSH71032



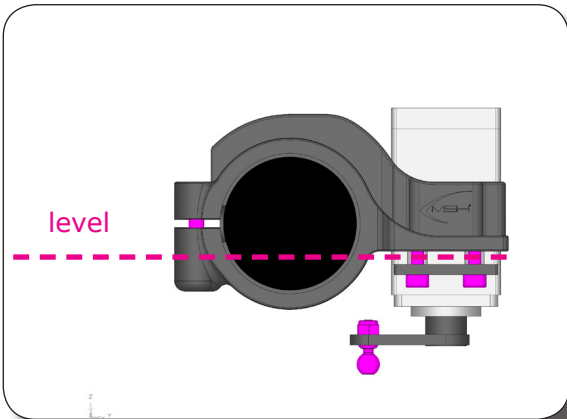
M2 Nut
ART. MSH71095



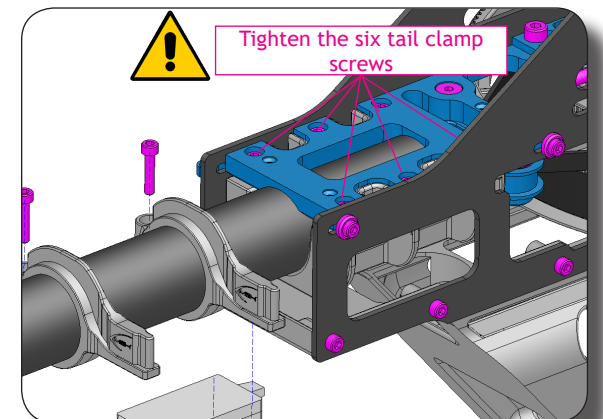
Hex screw
M2,5x12
ART. MSH71104



Ball M2x4.8
ART. MSH41009



level



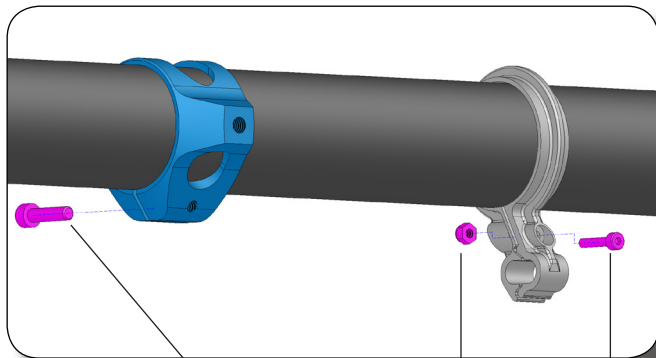
Tighten the six tail clamp screws

box

where I can find the BIG PARTS

box F bag B+B1

where I can find screws, ball bearings and stuff like that



Hex screw
M3x12
ART. MSH71106



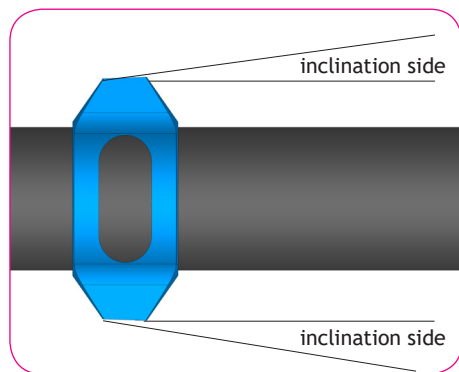
Hex screw
M2x10
ART. MSH71102

Do not fully tighten yet

M2 Nut
ART. MSH71095



Check the direction of the tapered plane of tail rod clamp



Tail rod clamp
ART. MSH71036

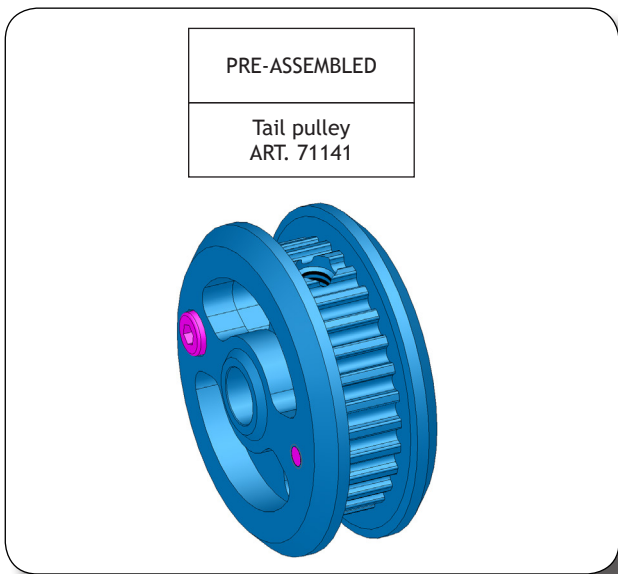
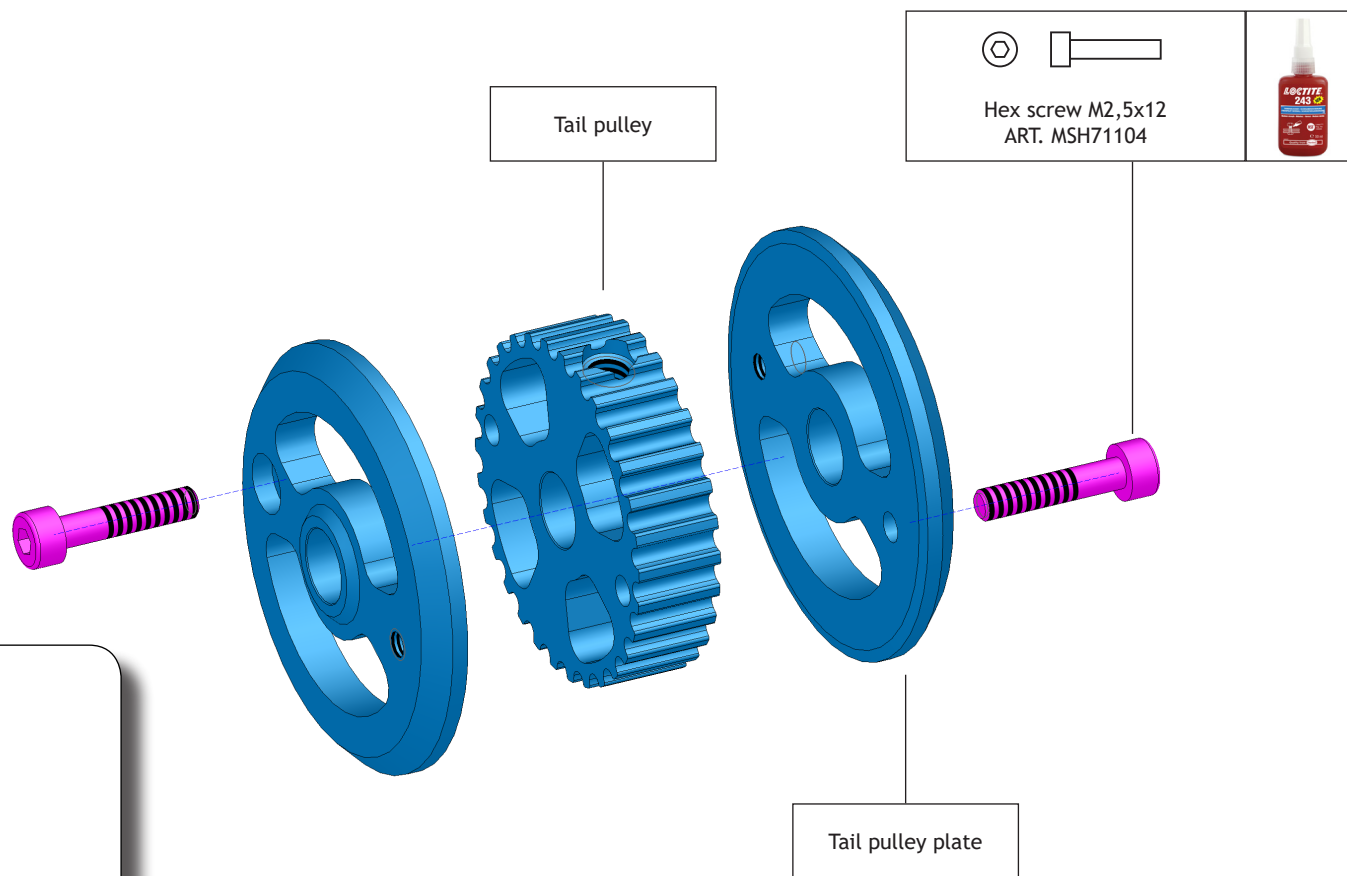


Tail control rod support
ART. MSH71035



390mm with 700mm main blades
425mm with 770mm main blades
440mm with 800mm main blades





box C

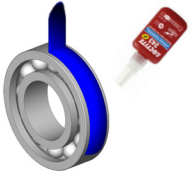
where I can find the BIG PARTS

box F bag C1

where I can find screws, ball bearings and stuff like that




Ball bearing
6x15x5 flanged
ART. MSH71074



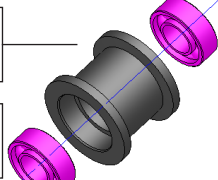
Tail box
ART. 71037

Ball bearing
6x12x4
ART. MSH71082

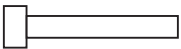



Guide pulley - 10mm
ART. MSH71010

Tail guide pulley
bushing
ART. MSH71041



Hex screw
M3x20
ART. MSH71107

Hex screw M3x12
ART. MSH71106



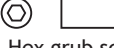

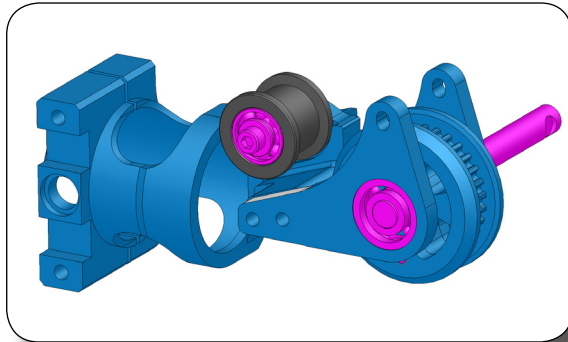

Do not fully tighten yet

Alu tail frame

Tail shaft
ART. 71040

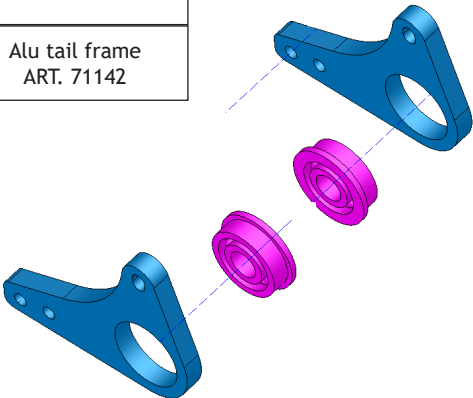
Tighten hard and make sure the grub screw
engages in the recess when tightening

Hex grub screw
M4x8
ART. MSH71123

PRE-ASSEMBLED

Alu tail frame
ART. 71142

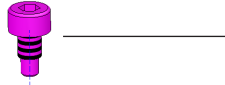


box C

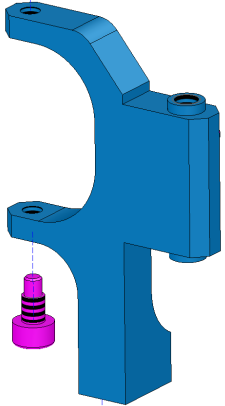
where I can find the BIG PARTS

box F bag C+C1

where I can find screws, ball bearings and stuff like that



Tail pitch lever screw M2,5x5
ART. MSH71124



Tail pitch lever
ART. MSH71160

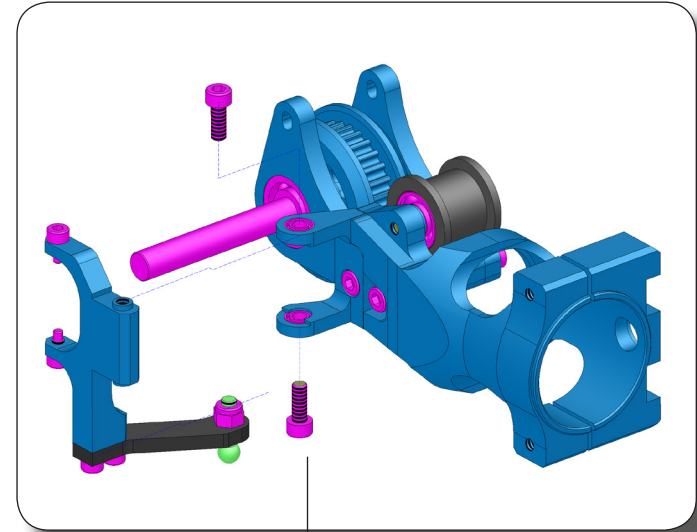
M3 Nut
ART. MSH71096

Tail pitch carbon lever
ART. MSH71043
ART. MSH71160

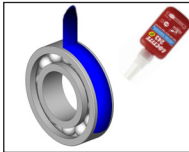
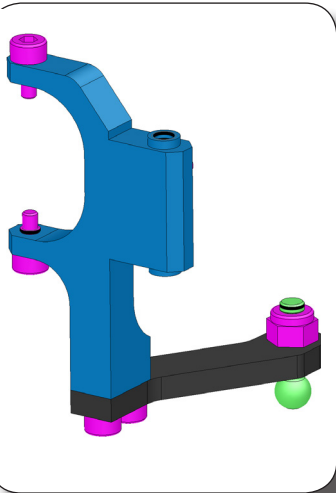
Ball M3x8
ART. MSH71090



Hex screw M2,5x6
ART. MSH71110



Hex screw M3x8
ART. MSH71109



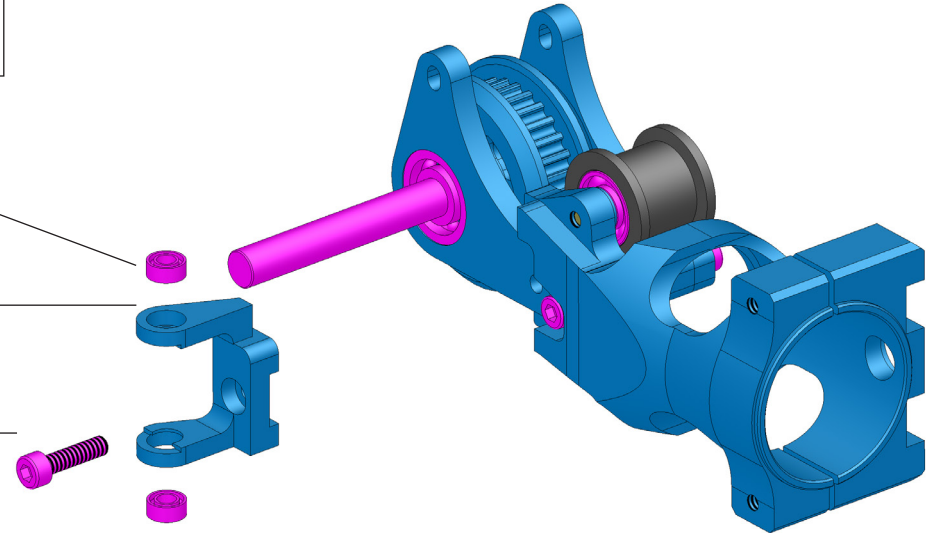
Ball bearing
3x6x2,5
ART. MSH71079

Tail pitch lever support
ART. MSH71042



Hex screw
M3x14
ART. MSH71112

Do not fully tighten yet

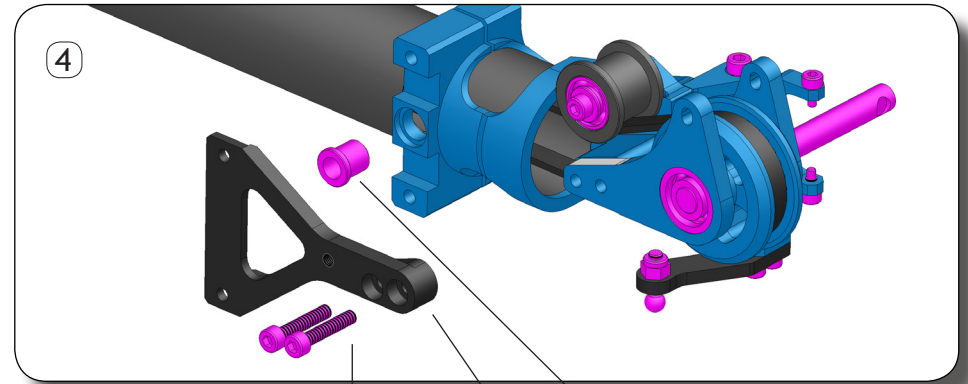
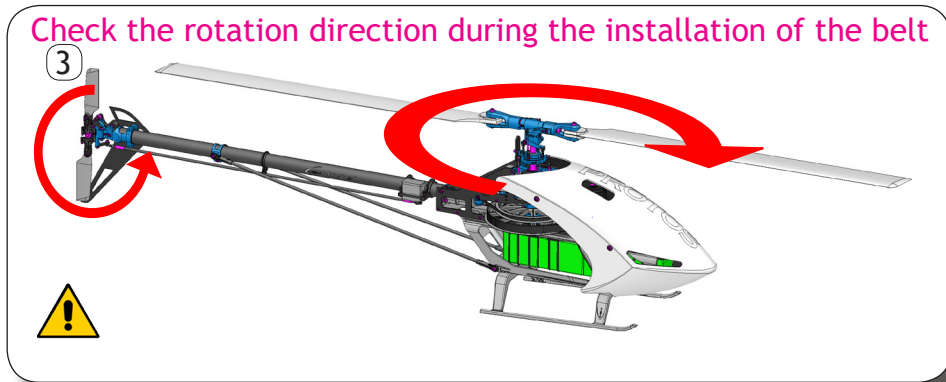
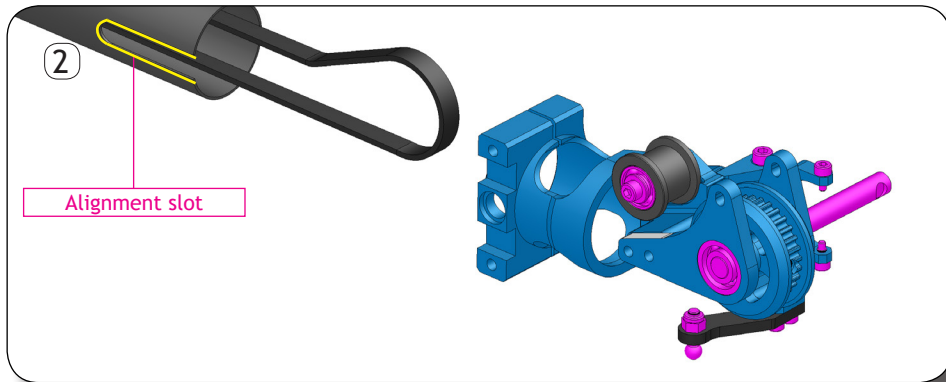
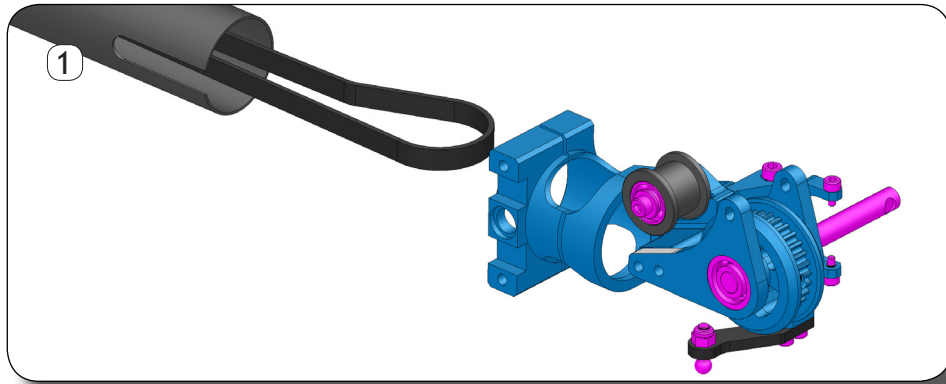


box

where I can find the BIG PARTS

box F bag C2

where I can find screws, ball bearings and stuff like that

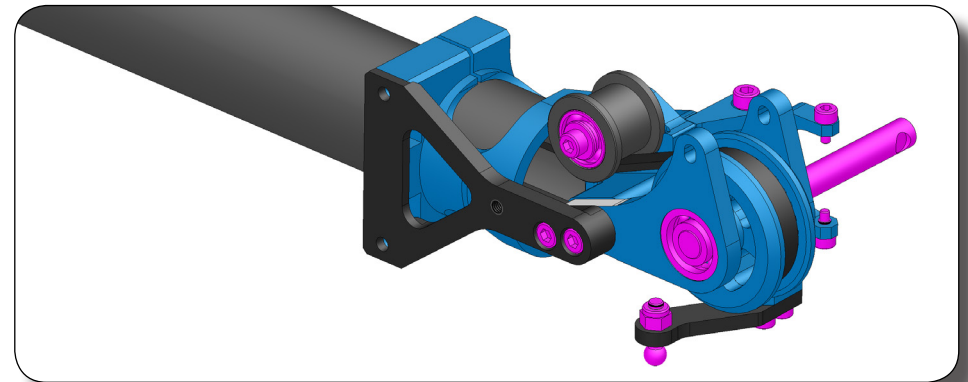


Alignment pin
ART. MSH71037
ART. MSH71044

Y tail brace
ART. MSH71175

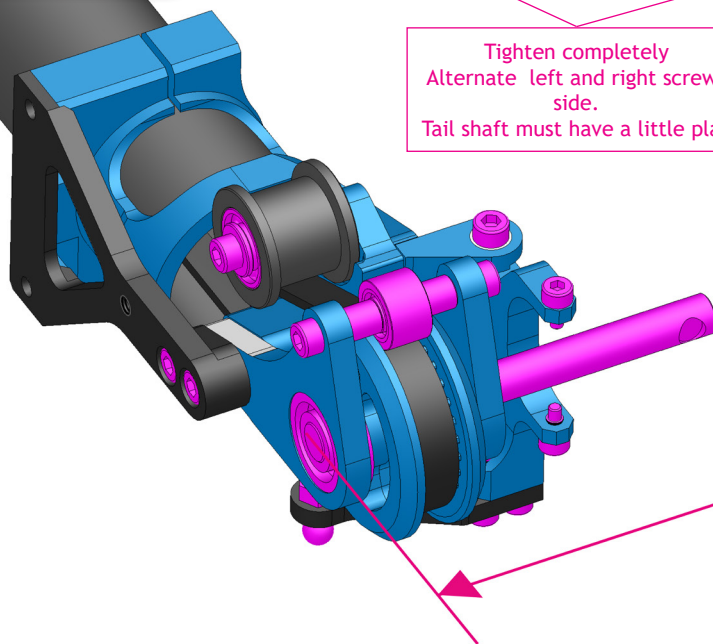
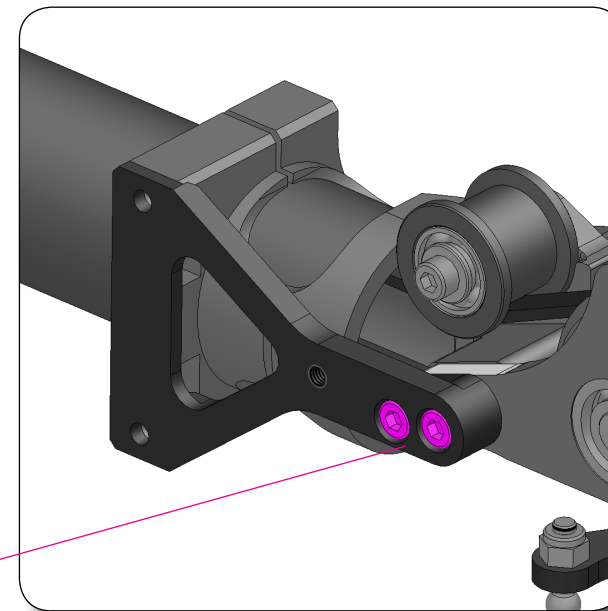
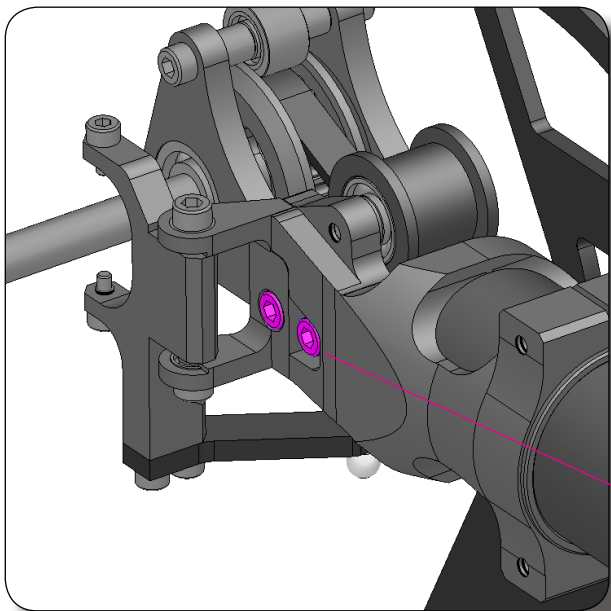
Hex screw
M3x14
ART. MSH71112

Do not fully tighten yet



where I can find the BIG PARTS

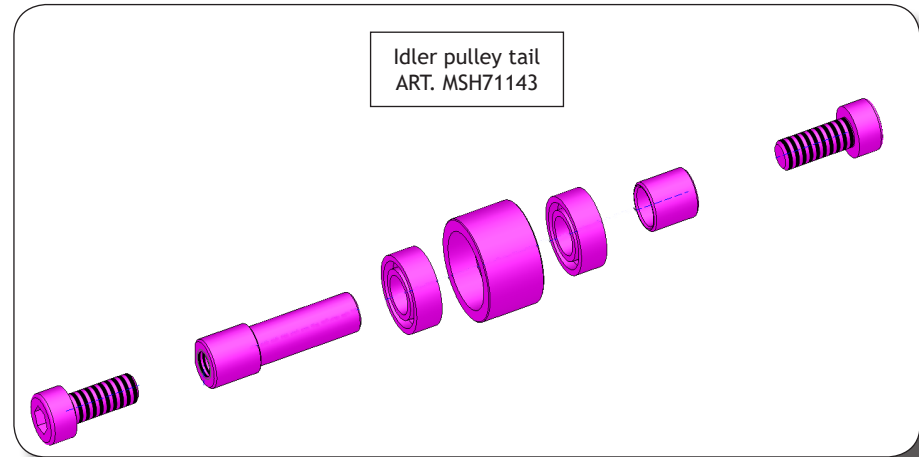
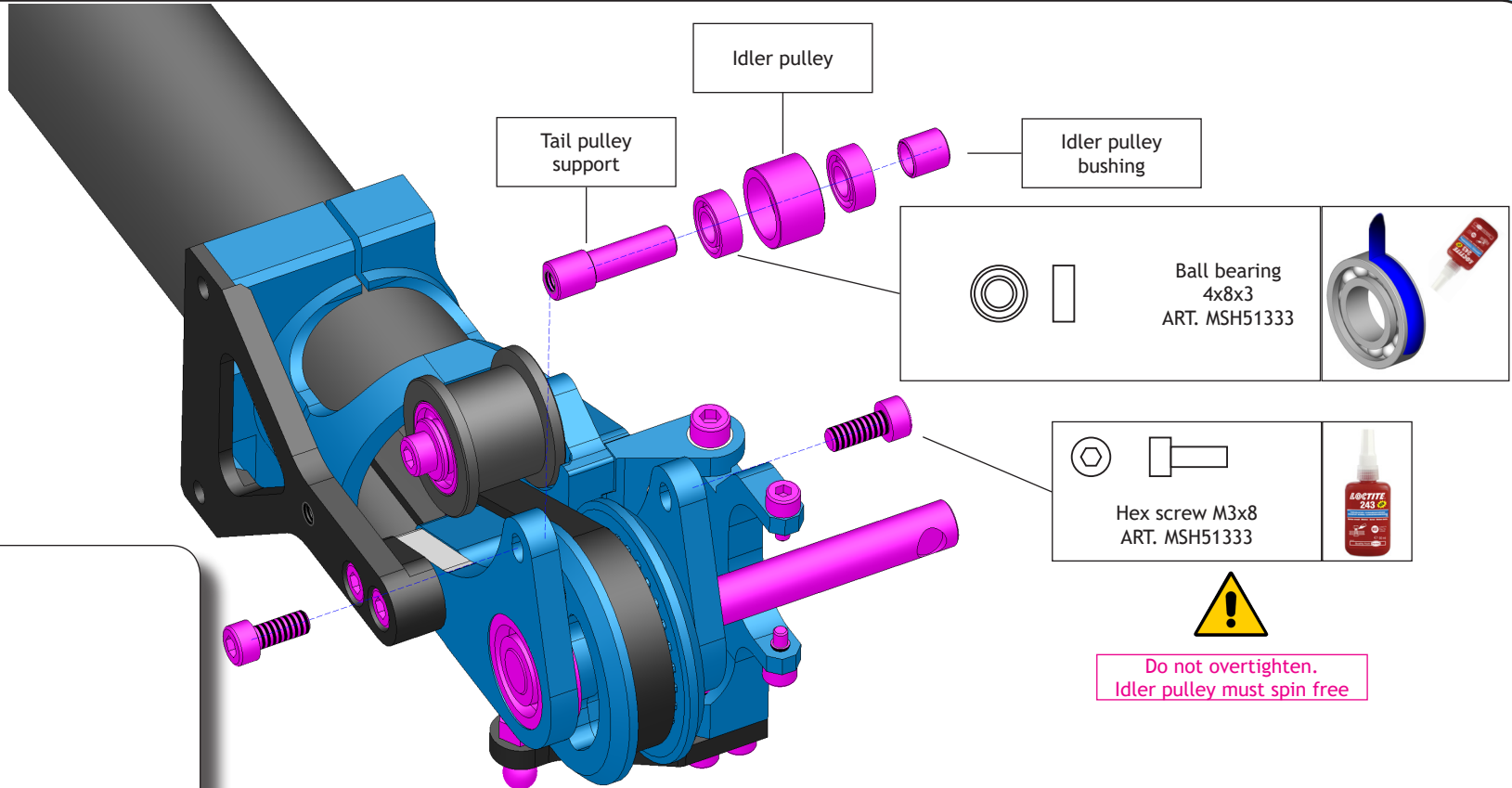
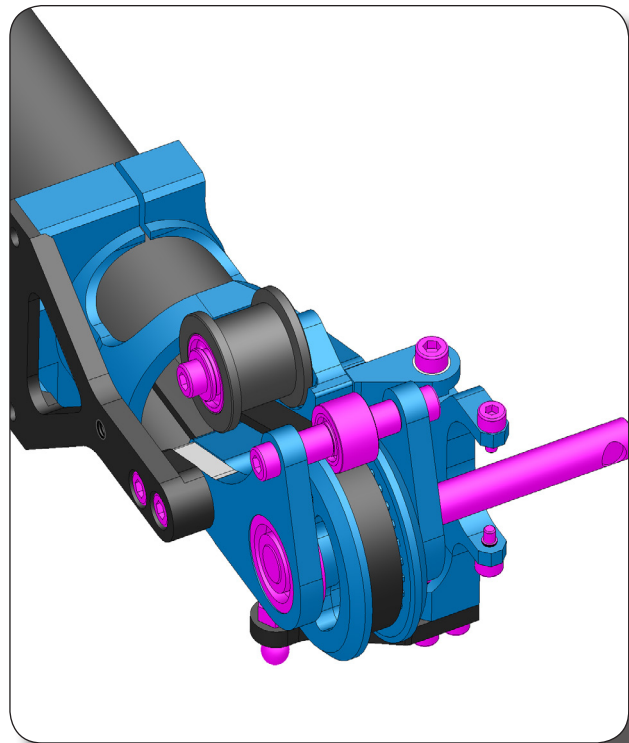
where I can find screws, ball bearings and stuff like that



Tighten completely
Alternate left and right screws
side.
Tail shaft must have a little play



Maintenance:
Keep cleaned shaft surface

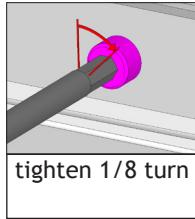


box B

where I can find the BIG PARTS

box F bag C2

where I can find screws, ball bearings and stuff like that

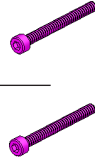


tighten 1/8 turn



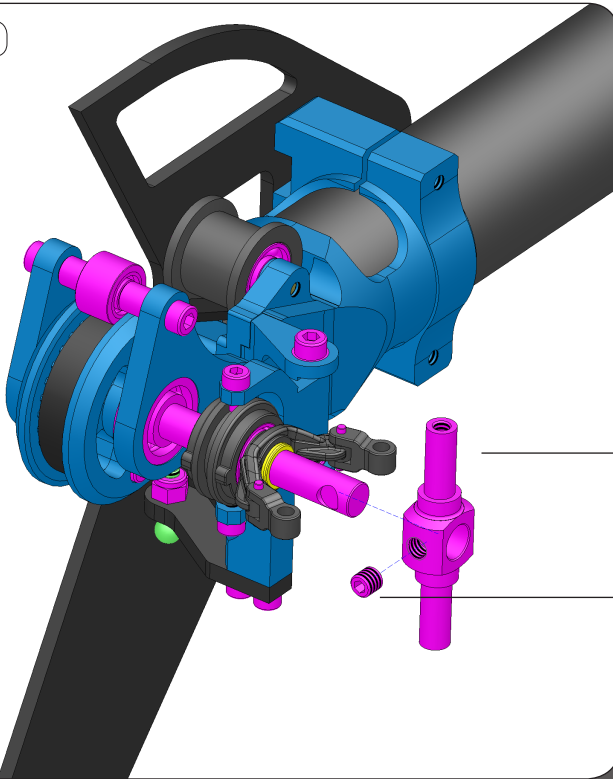
Hex screw
M3x30
ART. MSH71107

Do not overtighten.



Vertical fin
ART. MSH71044

3



Tail spindle
ART. MSH71046

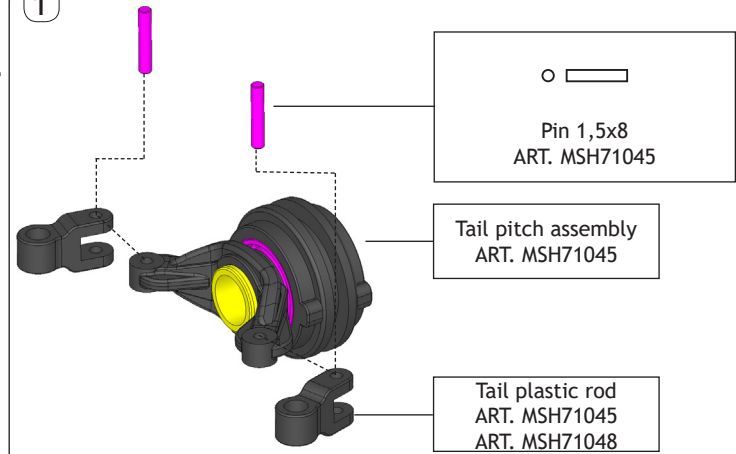


Hex grub screw
M4x4
ART. MSH71122



Tighten hard and make sure the grub screw
engages in the recess when tightening

1

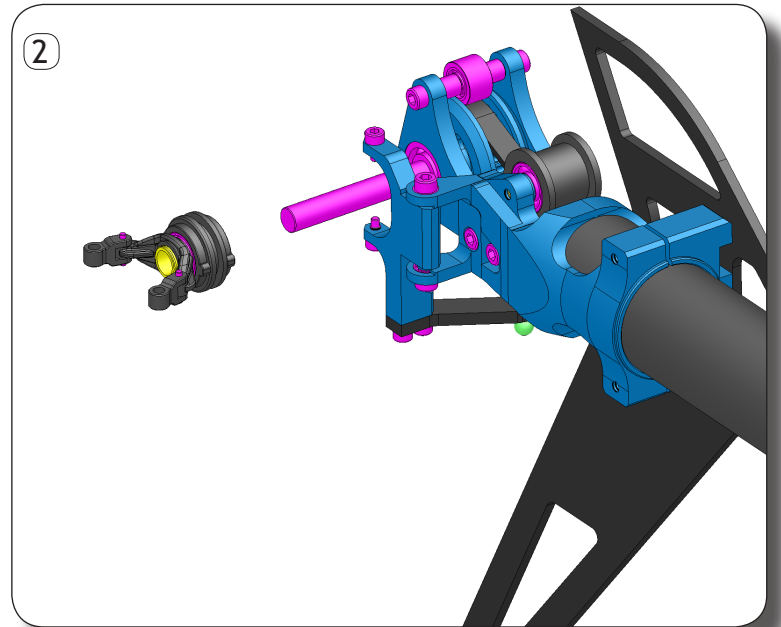


Pin 1,5x8
ART. MSH71045



Tail pitch assembly
ART. MSH71045

Tail plastic rod
ART. MSH71045
ART. MSH71048



2





Ball bearing
5x10x4
ART. MSH71081
ART. MSH71048

Washer
5x7,5x0,2
ART. MSH71048






Thrust
5x10x4
ART. MSH51065
ART. MSH71048


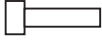



Thrust bearing is marked "I" and "O" for inside and outside

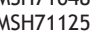
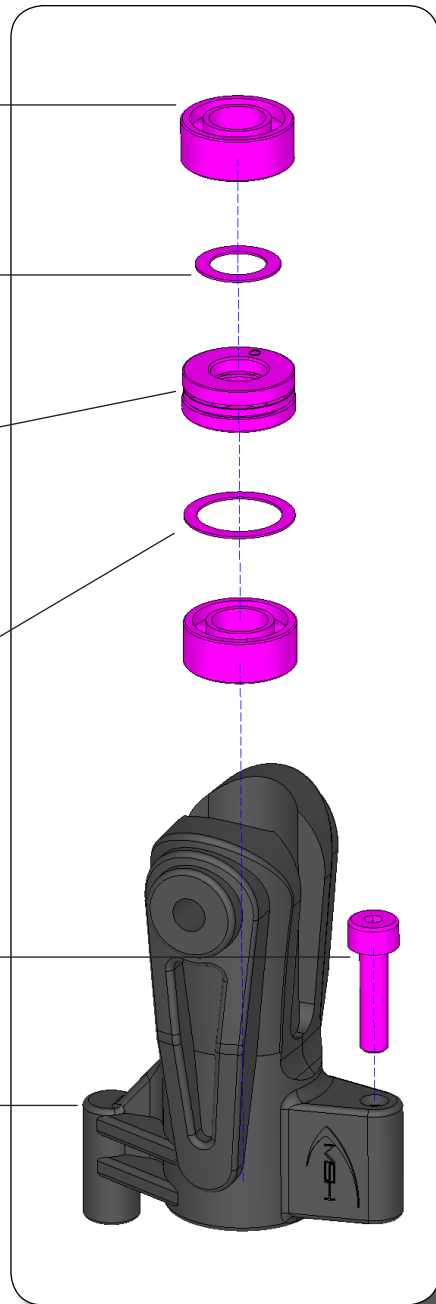
Washer
7,5x9,8x0,2
ART. MSH71048

Hex screw M2,5x10
ART. MSH71103
ART. MSH71048

Tail blade holder
ART. MSH71048
ART. MSH71125

Apply grease on thrust bearing

Internal hole SMALLER

Internal hole BIGGER



VERY IMPORTANT
Do not overtighten.



Push hard the bearing pack with a pin D=10mm (the main spindle for example)



Hex screw M3x8
ART. MSH71109





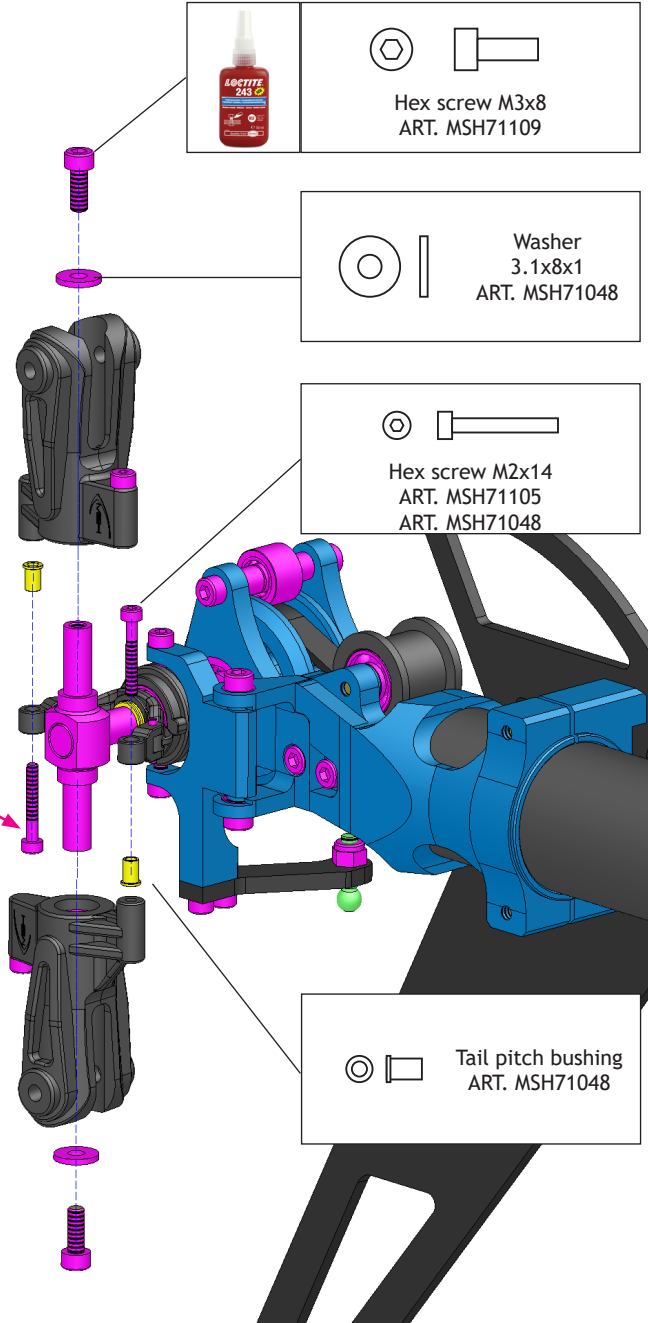

Washer
3.1x8x1
ART. MSH71048

Hex screw M2x14
ART. MSH71105
ART. MSH71048




Tail pitch bushing
ART. MSH71048

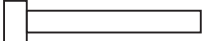





box B



where I can find the BIG PARTS

box F bag C2

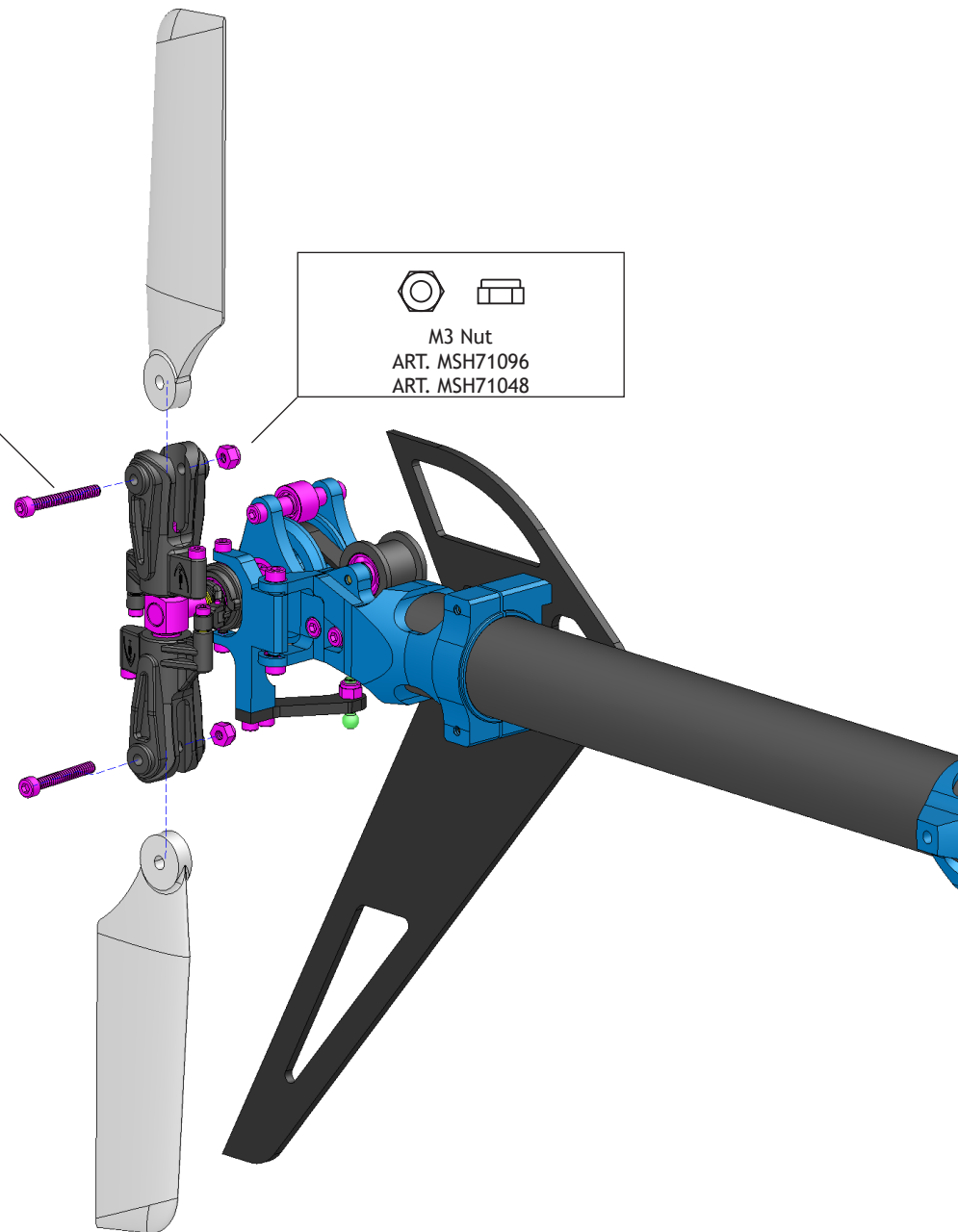
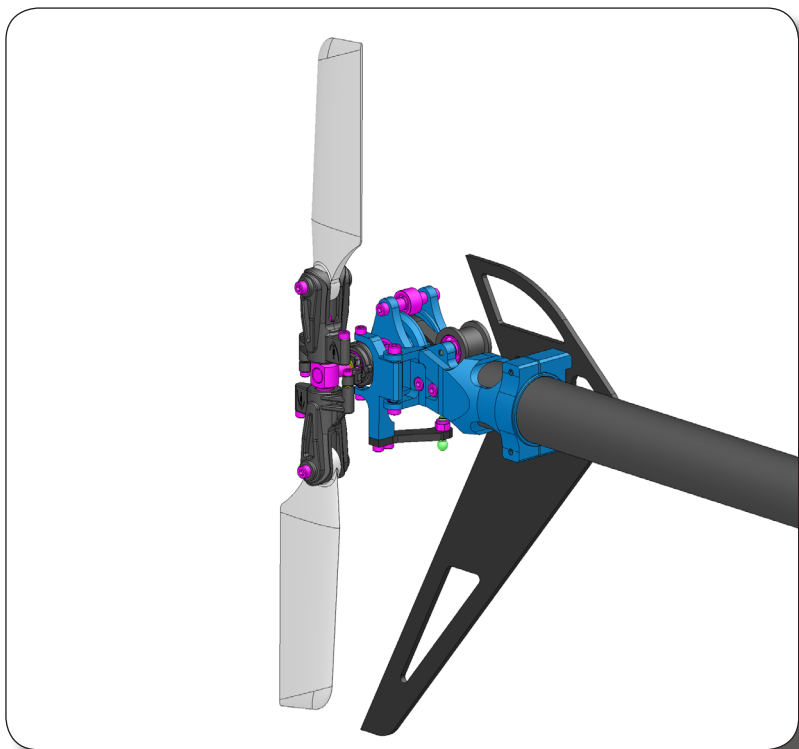
where I can find screws, ball bearings and stuff like that



Hex screw M3x23
ART. MSH51151
ART. MSH71048



M3 Nut
ART. MSH71096
ART. MSH71048



box B

where I can find the BIG PARTS

box F bag C3

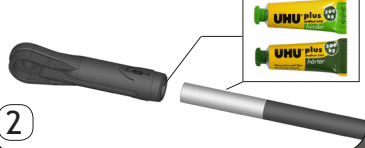
where I can find screws, ball bearings and stuff like that



Remove coating with sandpaper



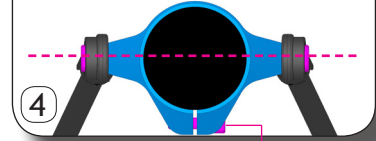
Apply a film of slow curing epoxy



Mount it on the model



Check the alignment and wait glue curing



Tighten completely



Hex screw
M4x10
ART. MSH71116

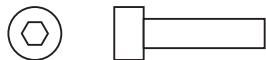
Tighten completely

Tail boom brace 700 size
To be used with
700mm Main blades
ART. MSH71049

Tail boom brace 770 size
To be used with
770mm Main blades
ART. MSH71204
OPTIONAL

Tail boom brace 800 size
To be used with
800mm Main blades
ART. MSH71086
OPTIONAL

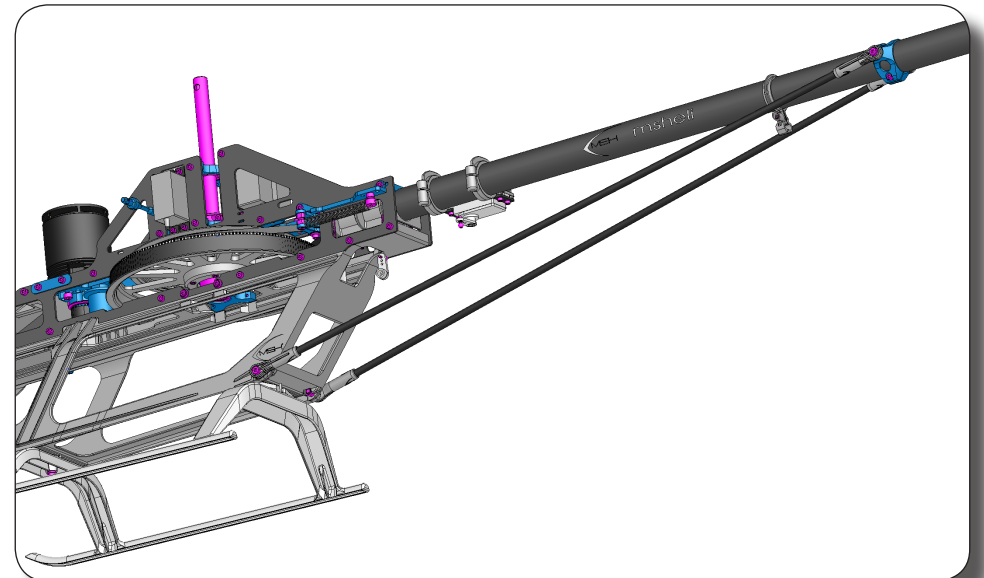
Tighten completely



Hex Screw M4x16
ART. MSH71049
ART. MSH71086



M4 Nut
ART. MSH71097



box B

where I can find the BIG PARTS

box F bag C3

where I can find screws, ball bearings and stuff like that



1

2 Tighten completely

3 Remove coating with sandpaper

4 Apply a film of slow curing epoxy

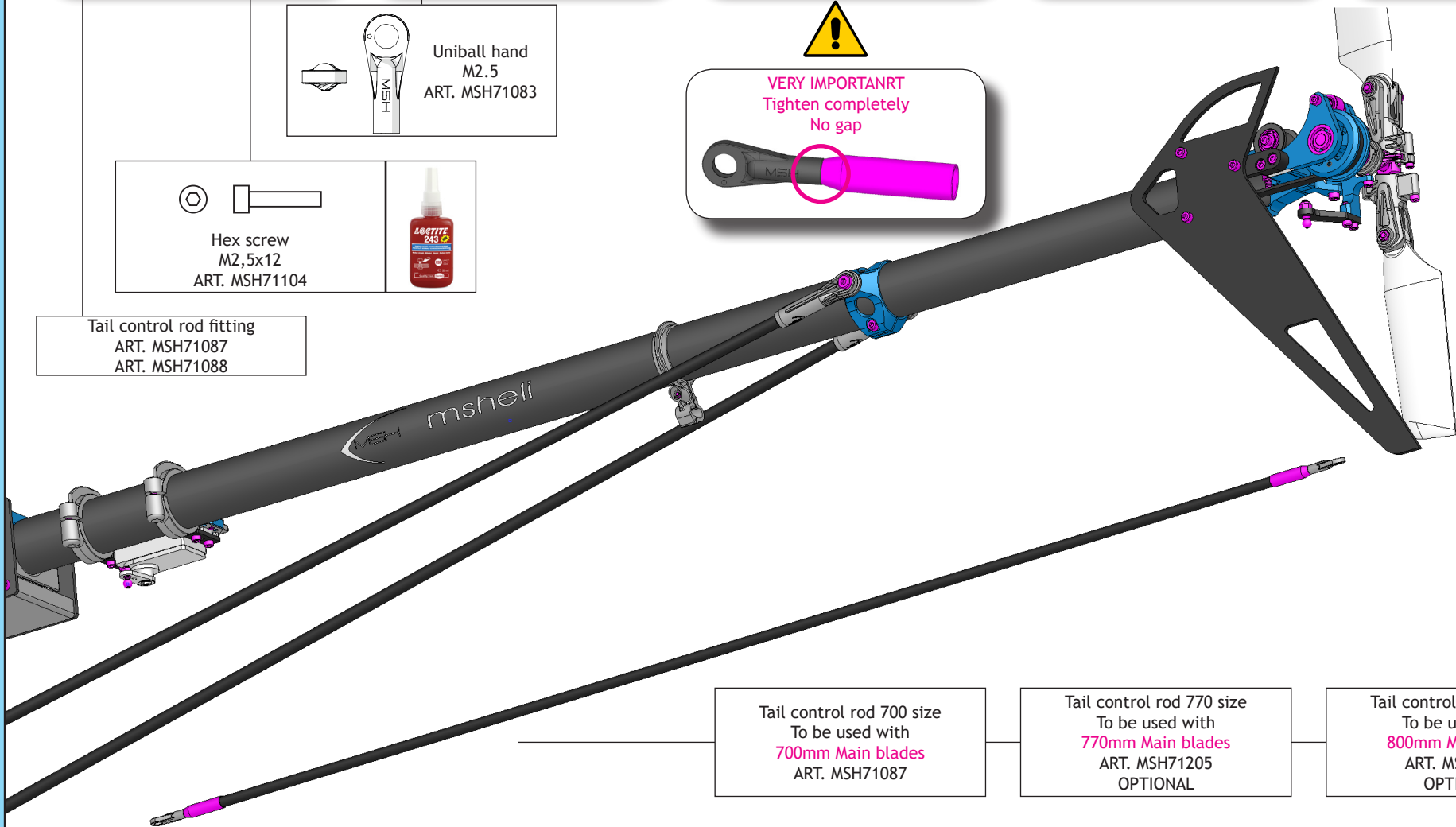
5 Wait completely curing and Mount it on the model

Uniball hand
M2.5
ART. MSH71083

Hex screw
M2,5x12
ART. MSH71104

Tail control rod fitting
ART. MSH71087
ART. MSH71088

VERY IMPORTANT
Tighten completely
No gap



Tail control rod 700 size
To be used with
700mm Main blades
ART. MSH71087

Tail control rod 770 size
To be used with
770mm Main blades
ART. MSH71205
OPTIONAL

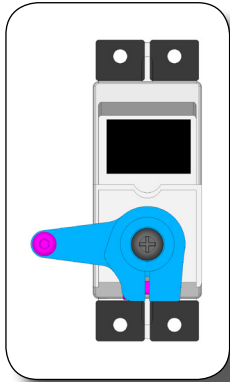
Tail control rod 800 size
To be used with
800mm Main blades
ART. MSH71088
OPTIONAL

box

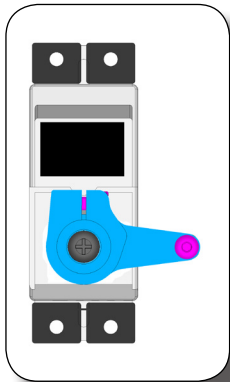
where I can find the BIG PARTS

box F bag D+D1

where I can find screws, ball bearings and stuff like that



x1

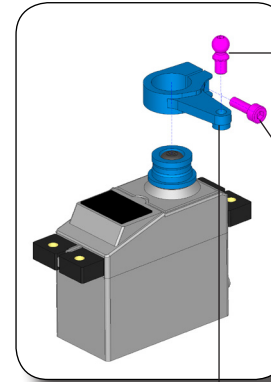
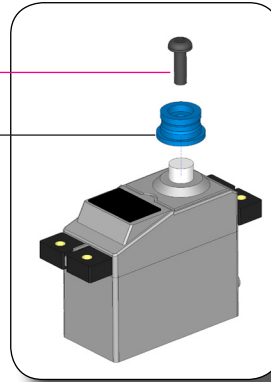


x2



Apply loctite if servo has metal gears

| Servo horn adapter | |
|--------------------|-------------------------------|
| Futaba | JR |
| ART. MSH71050 | ART. MSH71051 not included |



Ball M3x4
ART. MSH71089

Do not fully tighten yet



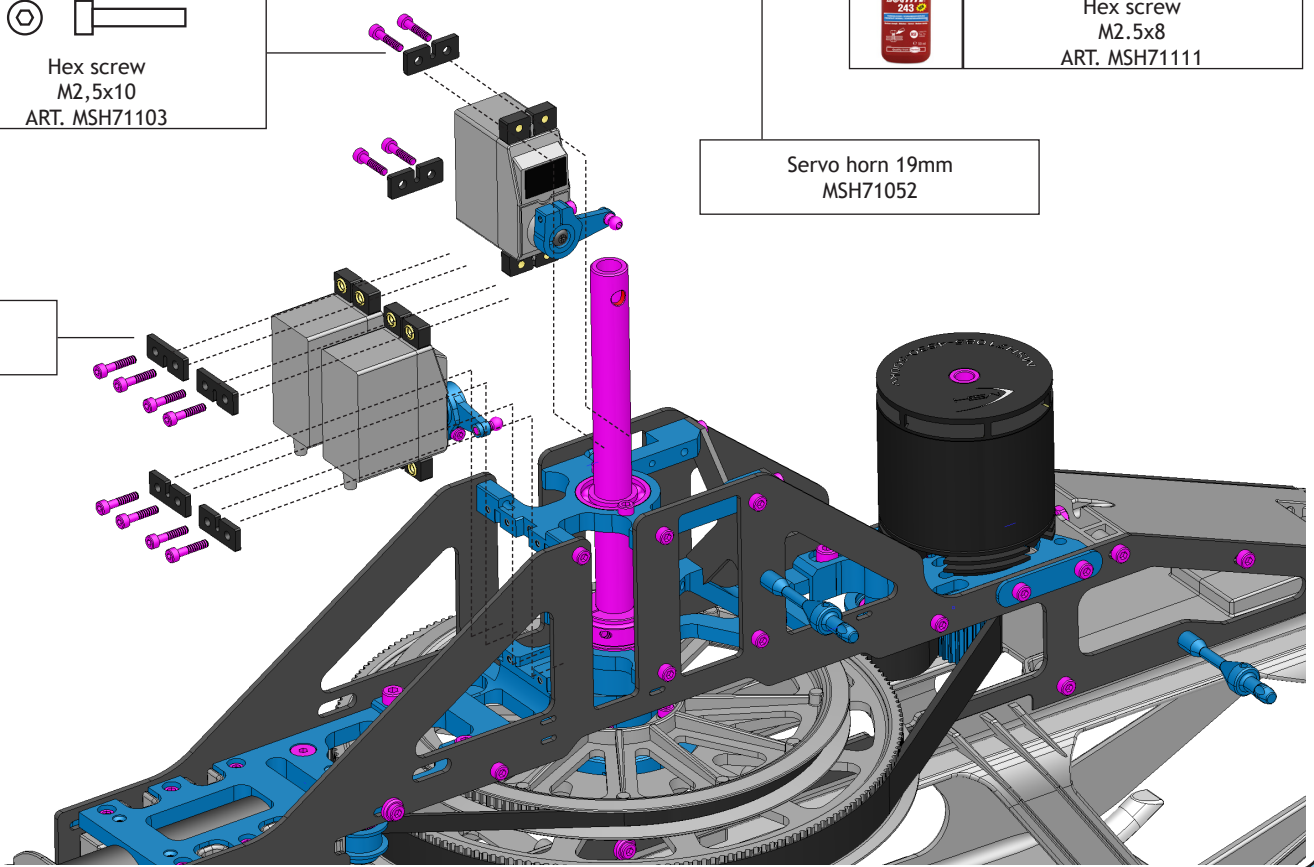
Hex screw
M2.5x8
ART. MSH71111



Hex screw
M2,5x10
ART. MSH71103

Carbon servo washer
ART. MSH71032

Servo horn 19mm
MSH71052

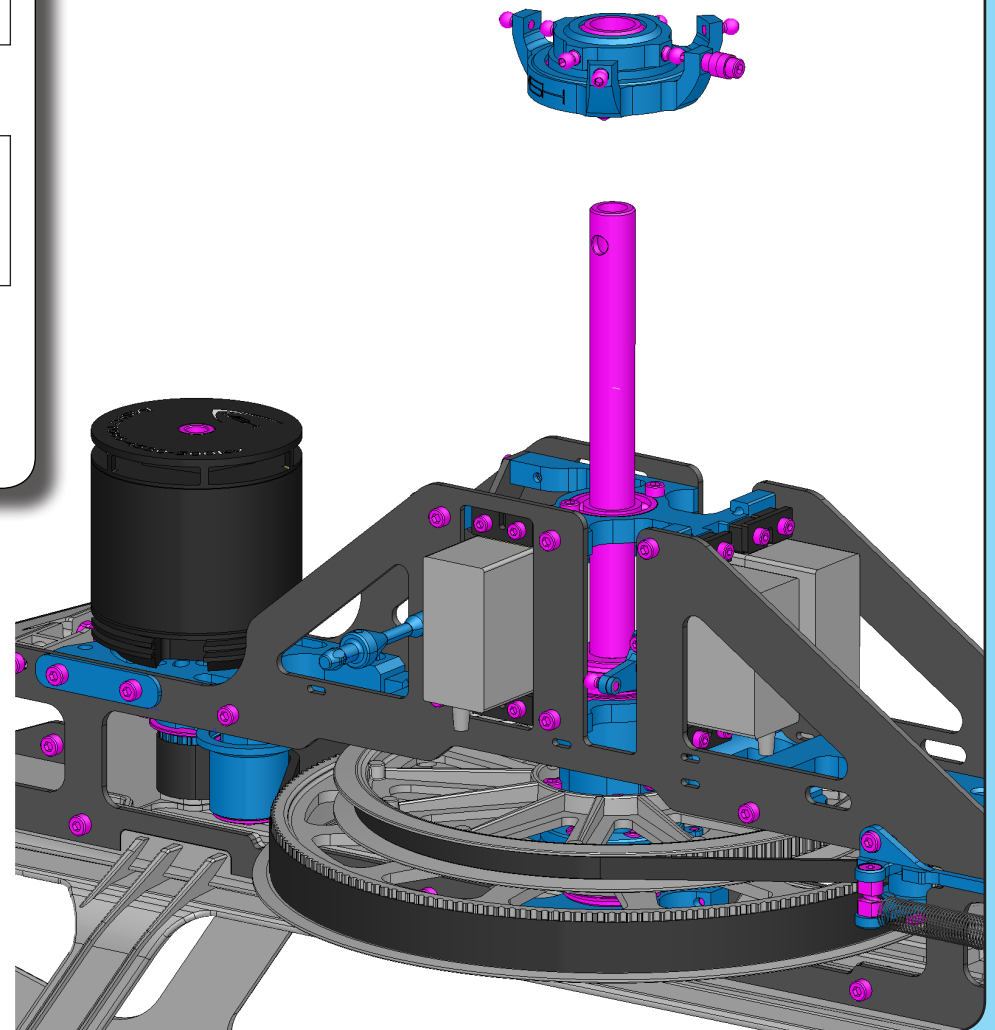
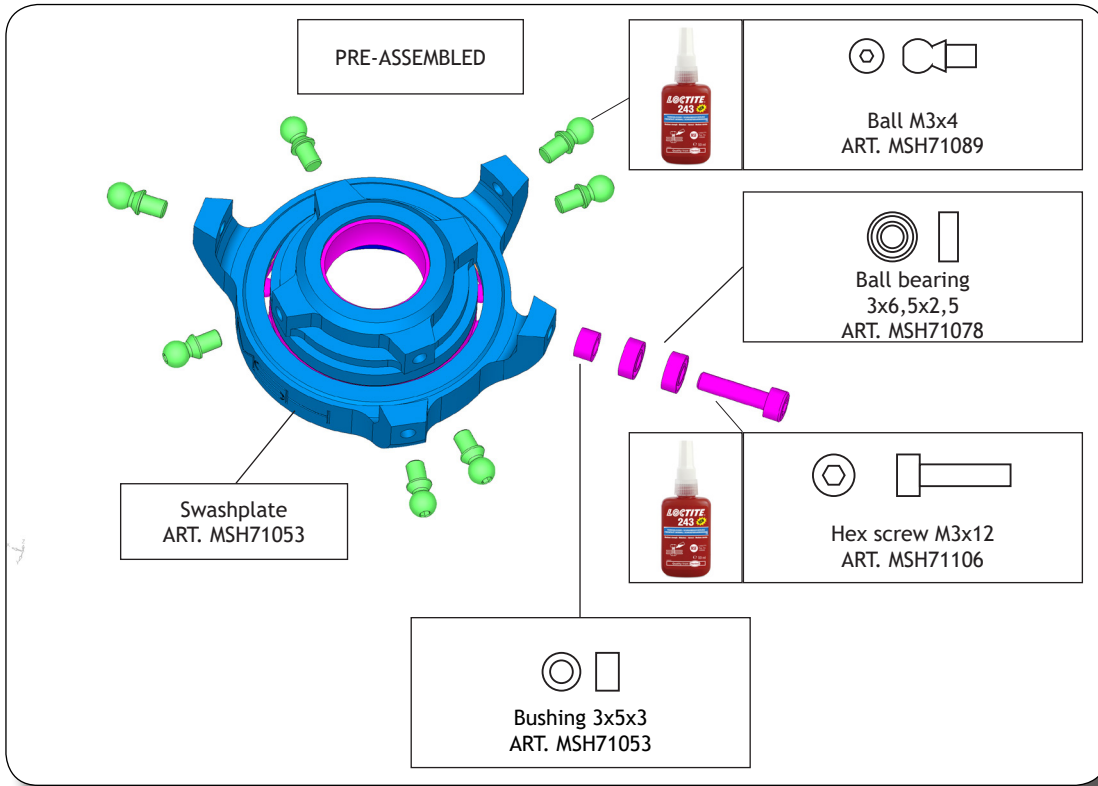


box C

where I can find the BIG PARTS

box F bag E1

where I can find screws, ball bearings and stuff like that



PROTOS
V2 LEVERO

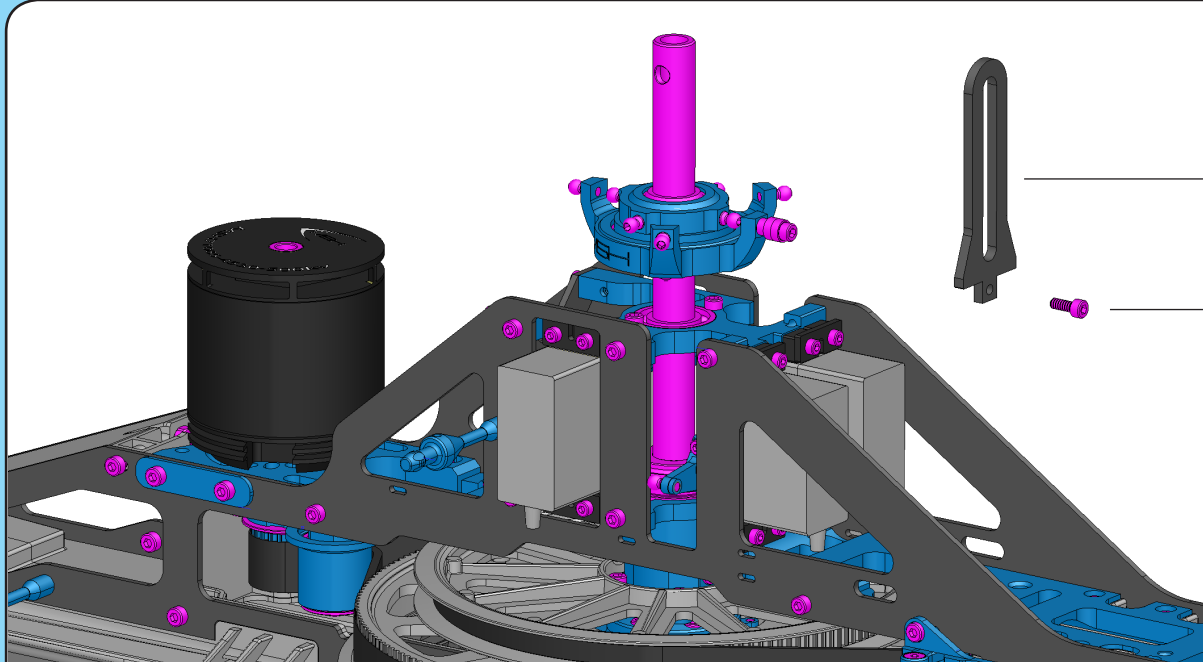
Instructions Manual

box C

where I can find the BIG PARTS

box F bag E+E1

where I can find screws, ball bearings and stuff like that



Anti swashplate spin carbon
ART. MSH71054



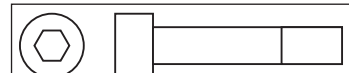
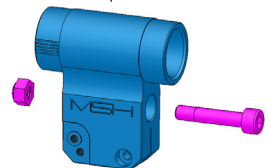
Hex screw M3x8
ART. MSH71109



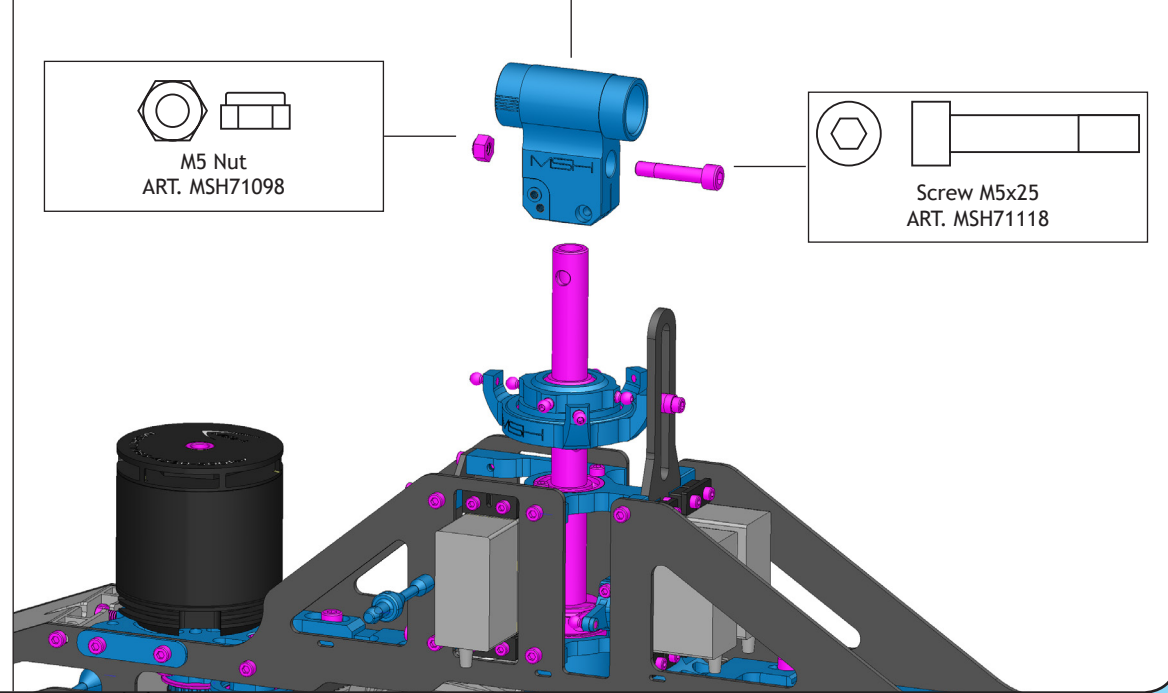
Main hub
ART. MSH71055



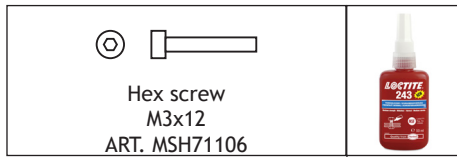
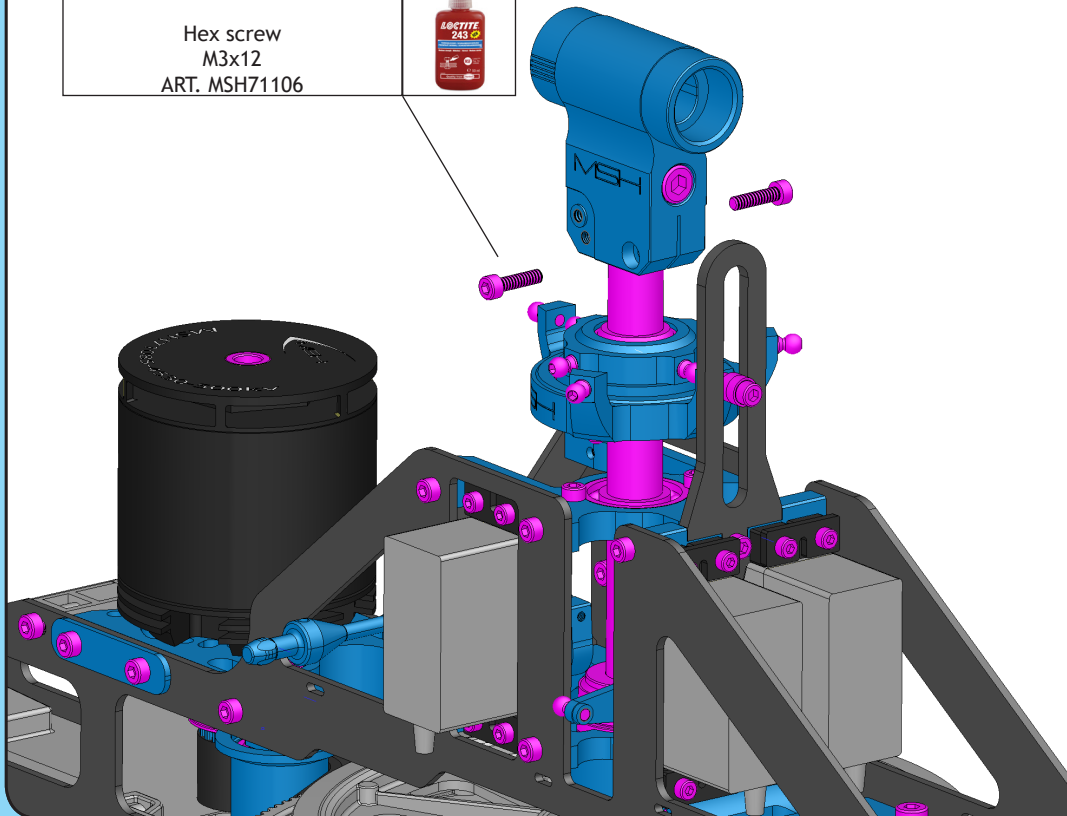
M5 Nut
ART. MSH71098

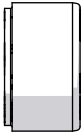



Screw M5x25
ART. MSH71118

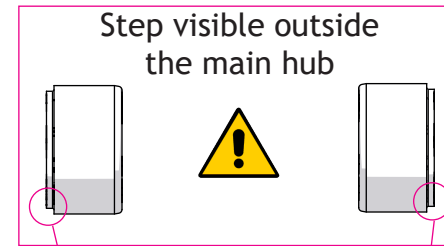
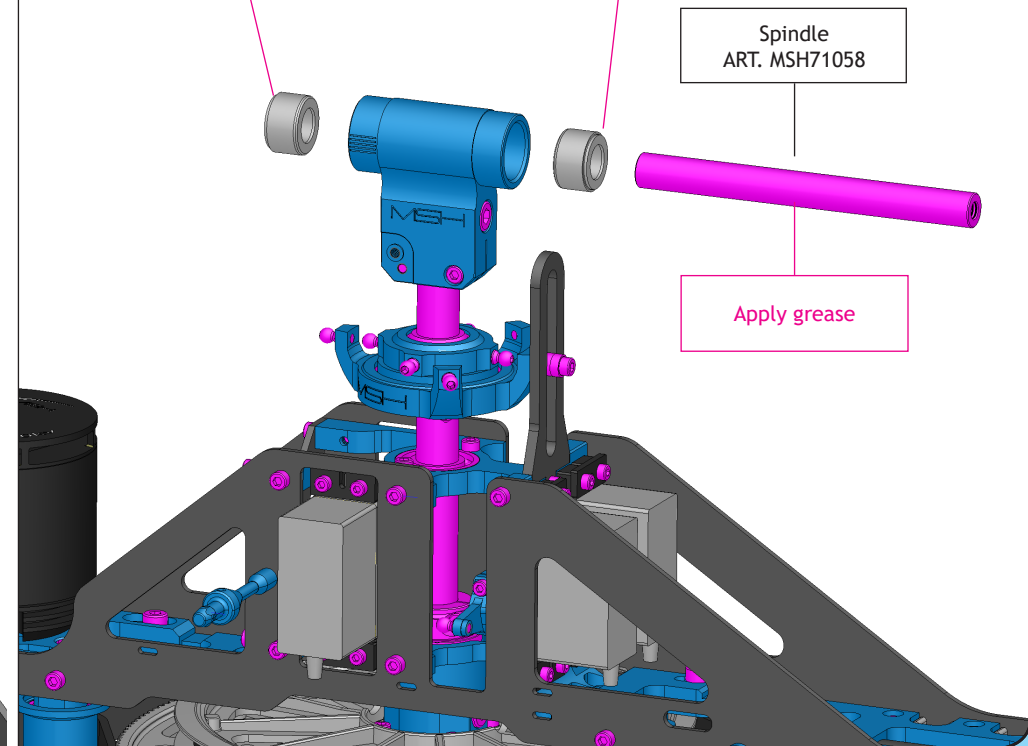


Hex screw
M3x12
ART. MSH71106

| Head dampeners | |
|---|---|
|  |  |
| ART. MSH71056 sport / 3D | ART. MSH71057 Hard 3D 700 blades 3D 800 blades <i>Optional</i> |

Step visible outside
the main hub

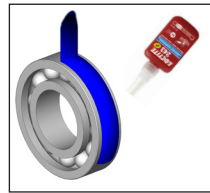



box C

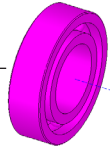
where I can find the BIG PARTS

box F bag E1

where I can find screws, ball bearings and stuff like that



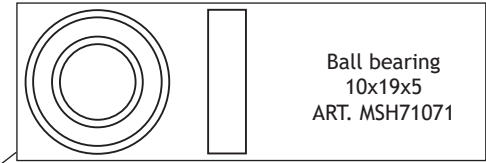
Main blade holder
ART. MSH71059



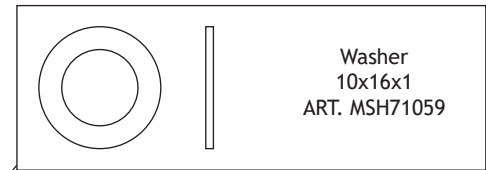
BIGGER hole



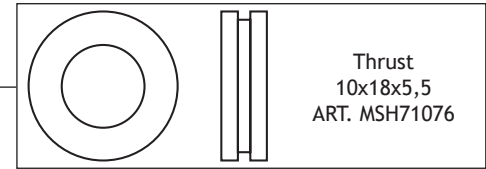
SMALLER hole



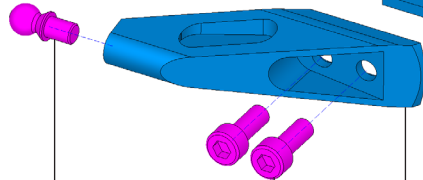
Ball bearing
10x19x5
ART. MSH71071



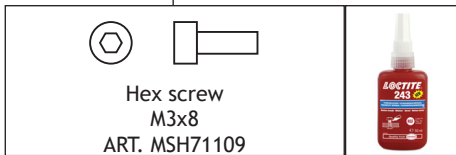
Washer
10x16x1
ART. MSH71059



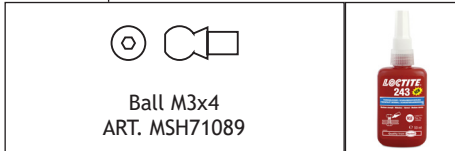
Thrust
10x18x5,5
ART. MSH71076



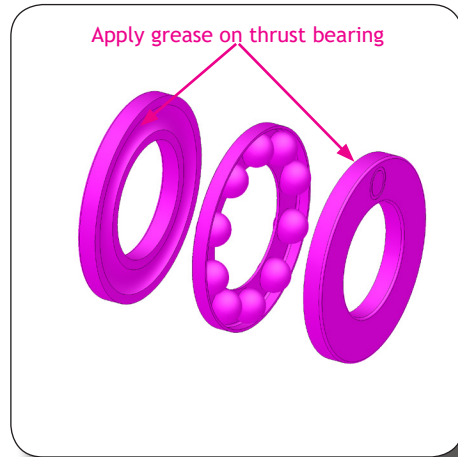
Main blade holder control arm
ART. MSH71060



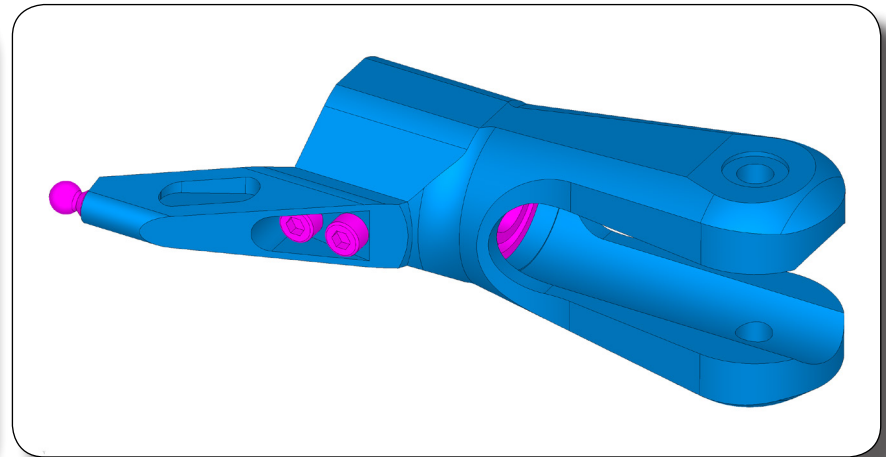
Hex screw
M3x8
ART. MSH71109

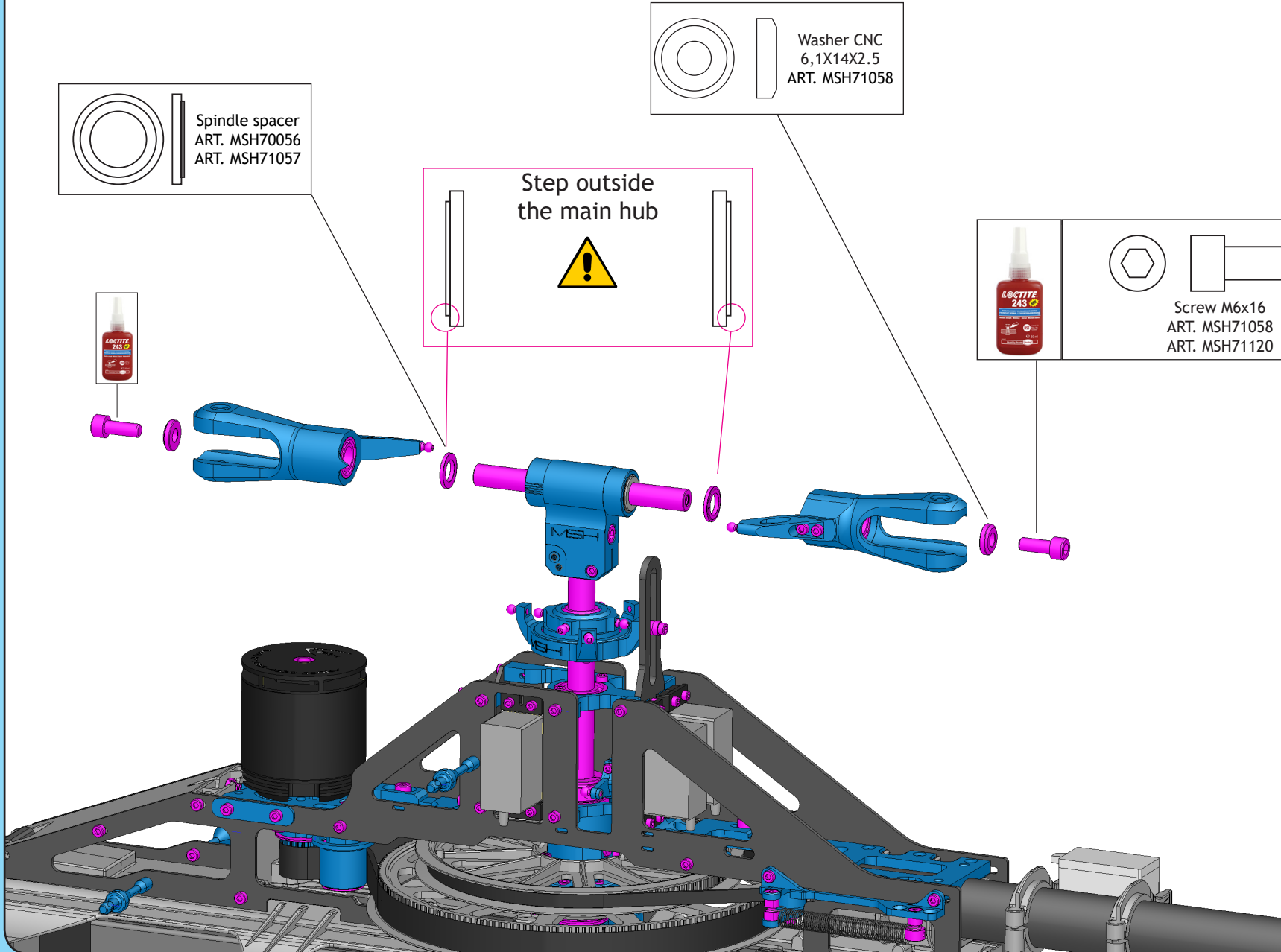
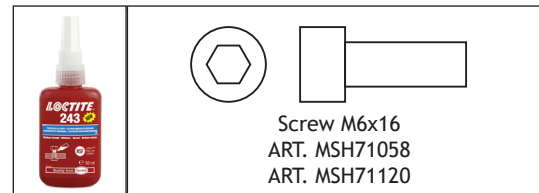
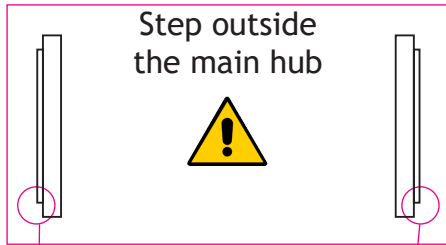
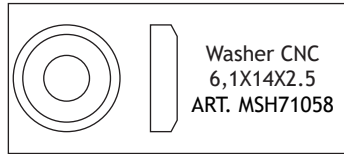
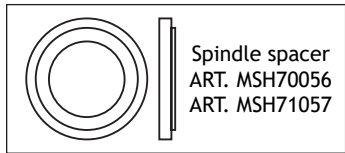


Ball M3x4
ART. MSH71089



Apply grease on thrust bearing



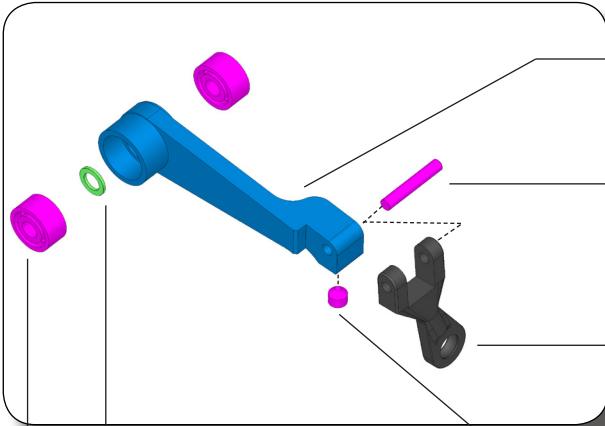


box C

where I can find the BIG PARTS

box F bag E1

where I can find screws, ball bearings and stuff like that



Main head antitoration arm
ART. MSH71061

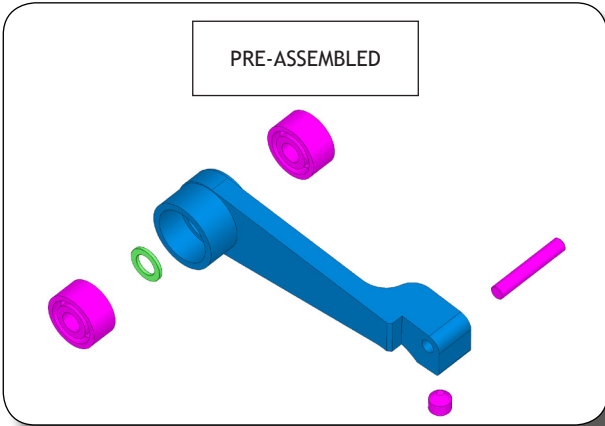
Pin 2x12
ART. MSH71061
ART. MSH71062

Washout uniball arm
ART. MSH71062

Spacer 3X5X0.5
ART. MSH71061

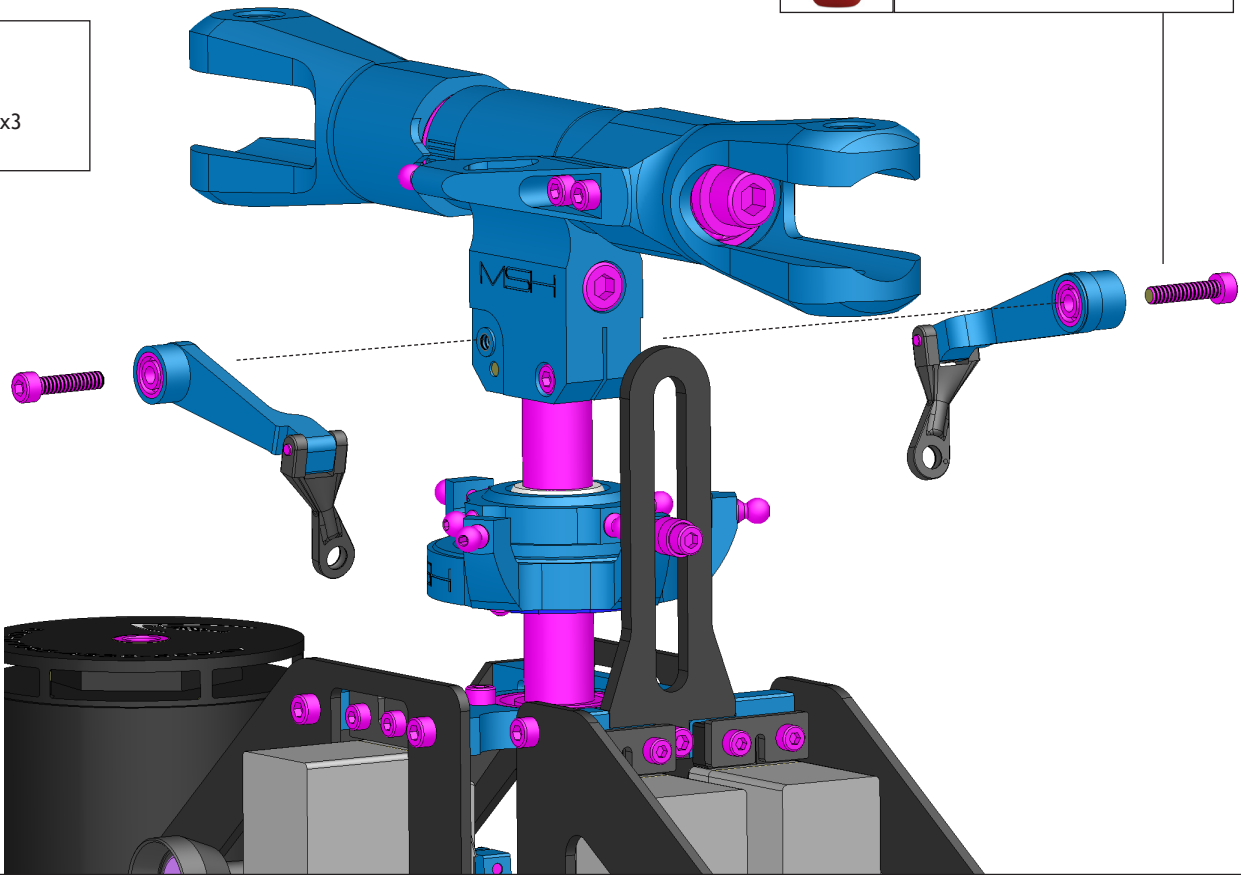
Hex grub screw M3x3
ART. MSH71121

Ball bearing 3x8x4
ART. MSH71080



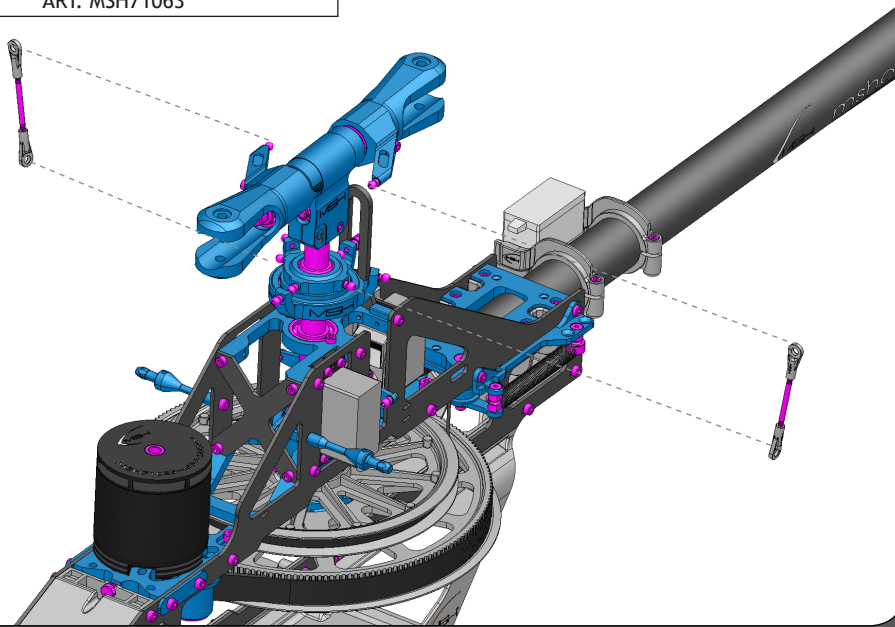
PRE-ASSEMBLED

Hex screw M3x14
ART. MSH71112



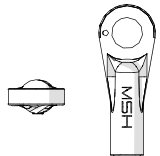
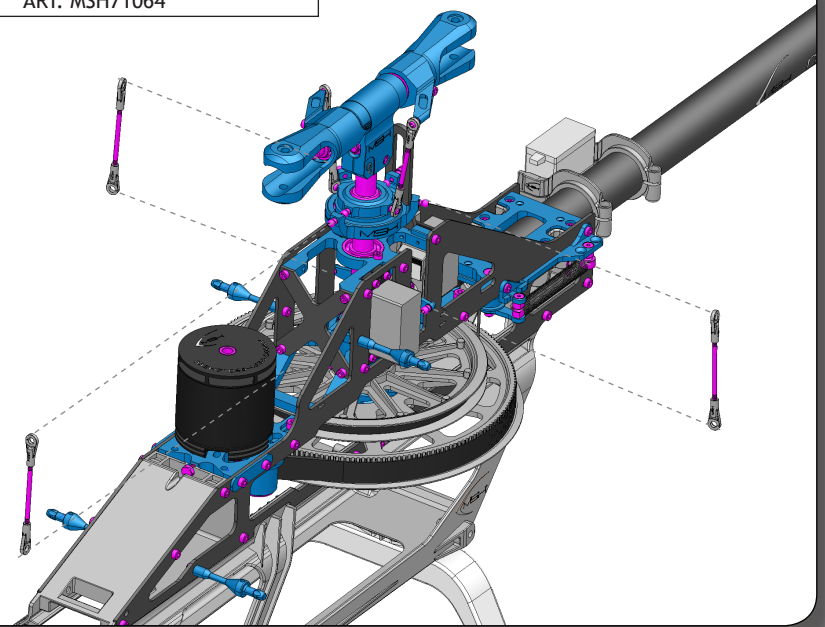
Head rods set
M2.5 x 49mm
ART. MSH71063

Head rod set

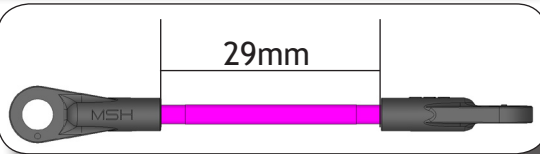


Servo rods set
M2.5 x 57.8mm
ART. MSH71064

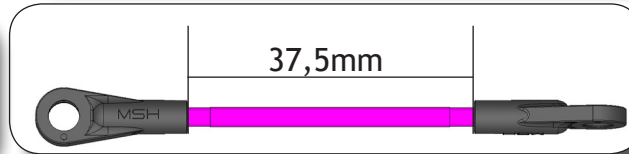
Servo rod set



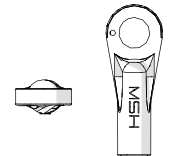
Uniball hand M2.5
ART. MSH71083



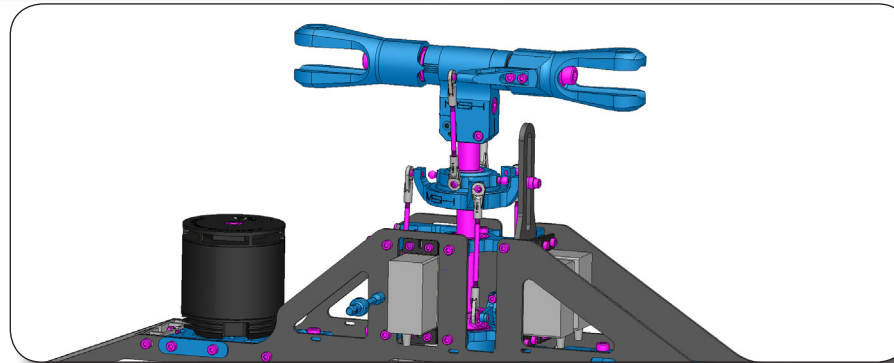
29mm



37,5mm



Uniball hand M2.5
ART. MSH71083



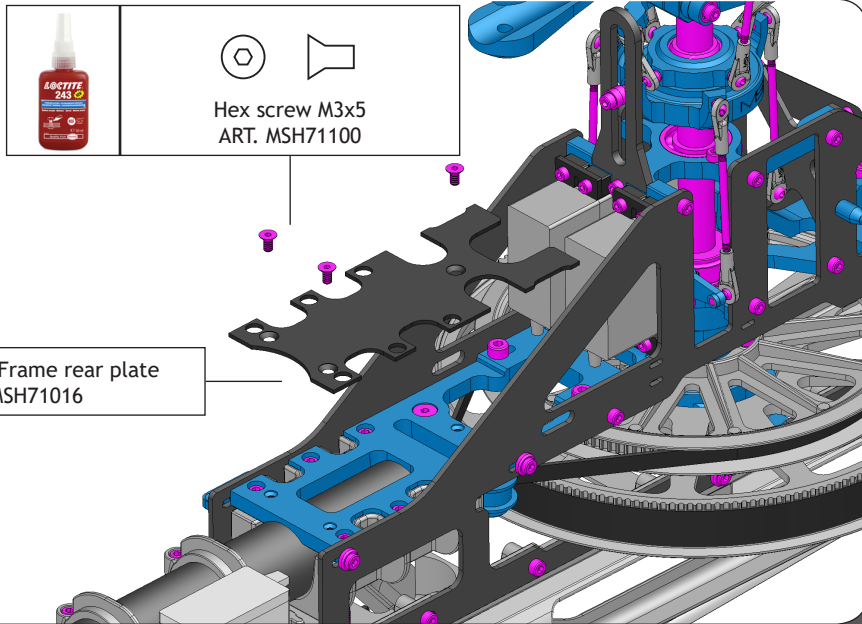
Servo rod length may differ slightly
with different servo brand

box B + box D

where I can find the BIG PARTS

box F bag E2

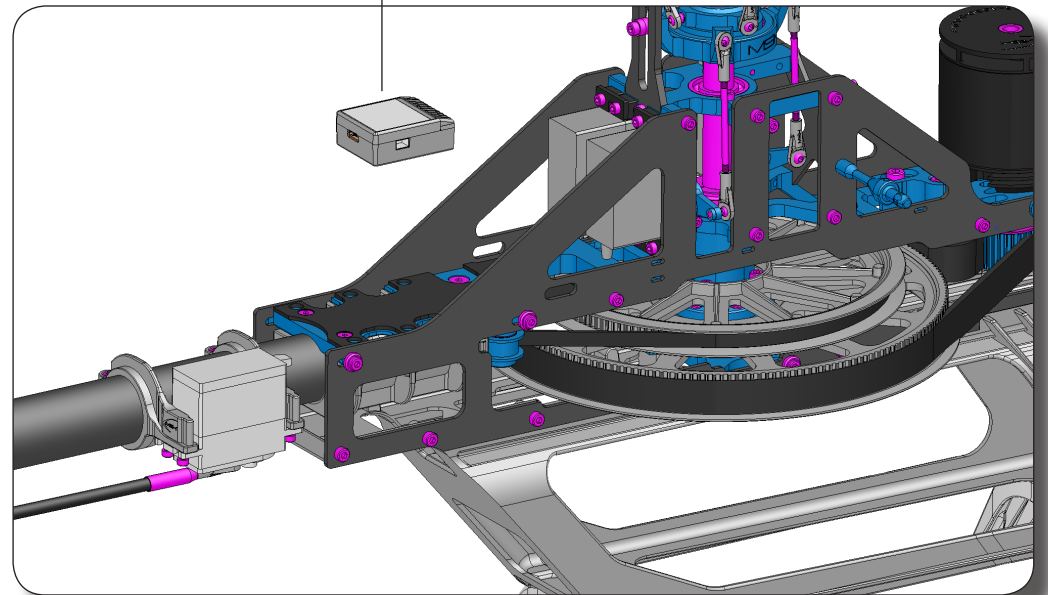
where I can find screws, ball bearings and stuff like that



Carbon cover Frame rear plate
ART. MSH71016

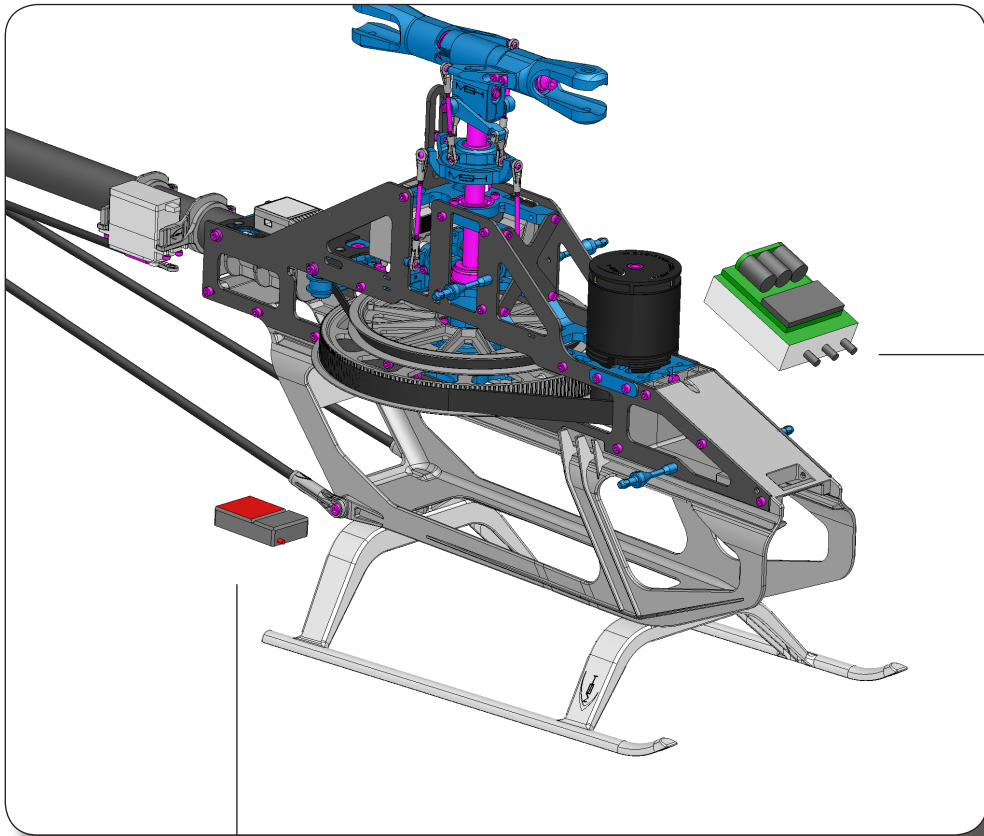
Hex screw M3x5
ART. MSH71100

Brain



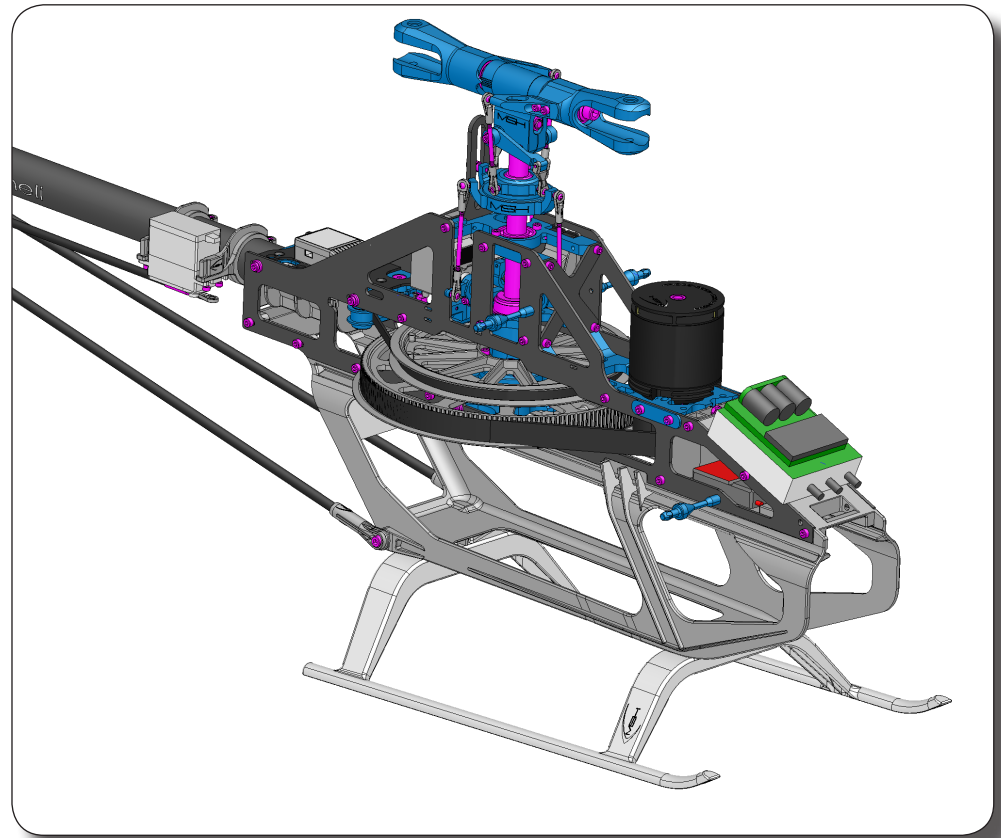
box D

where I can find the BIG PARTS



NOT INCLUDED

NOT INCLUDED

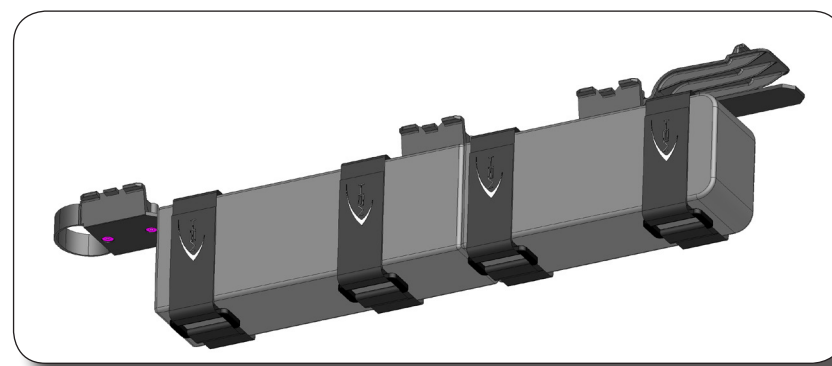
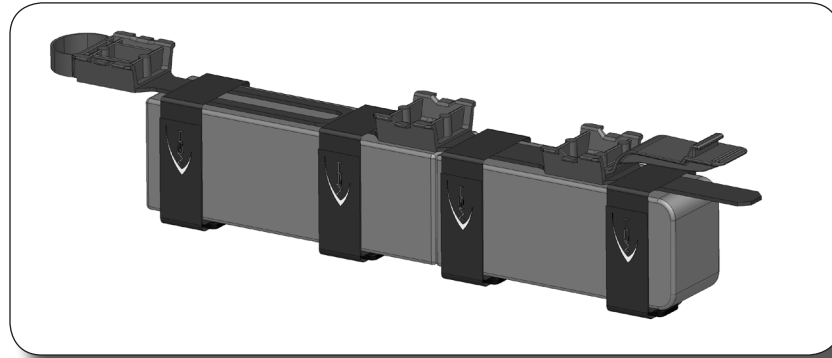
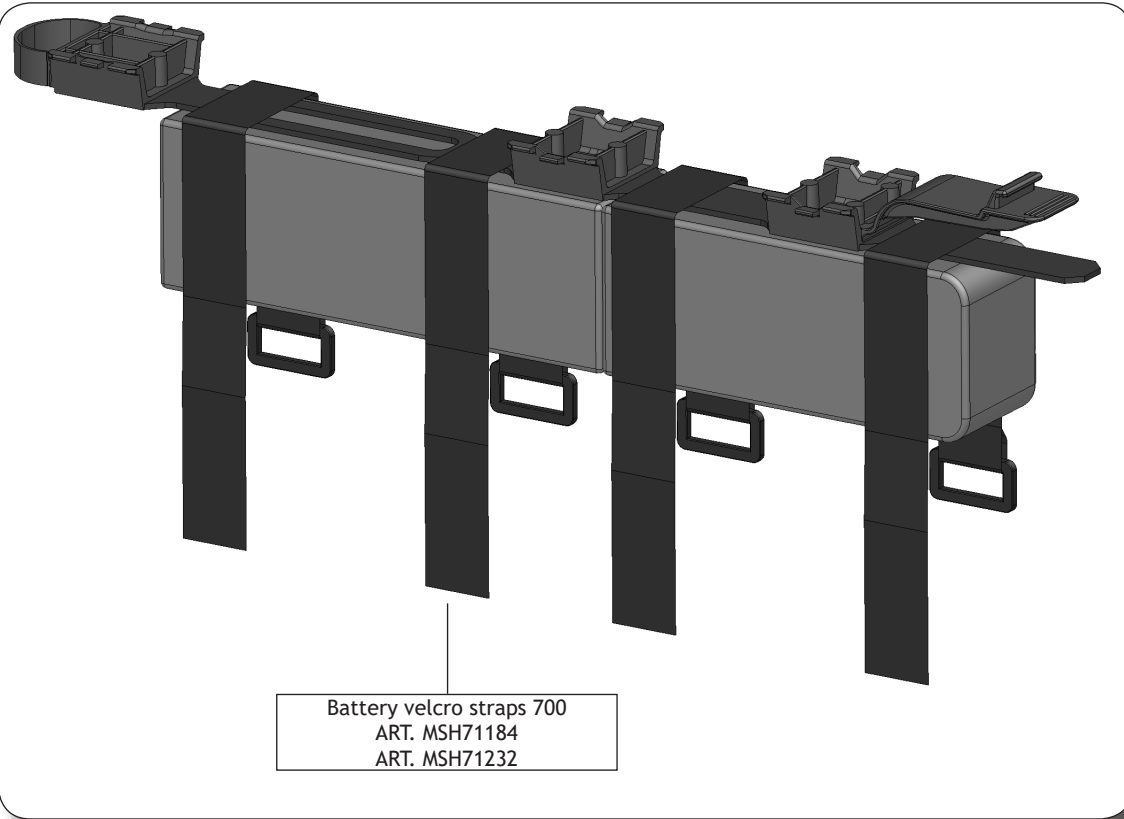
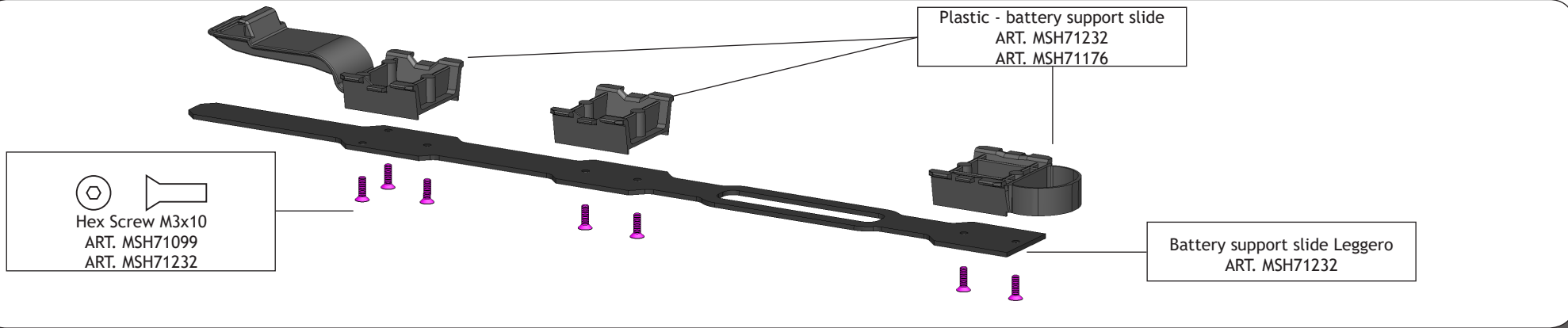


box B

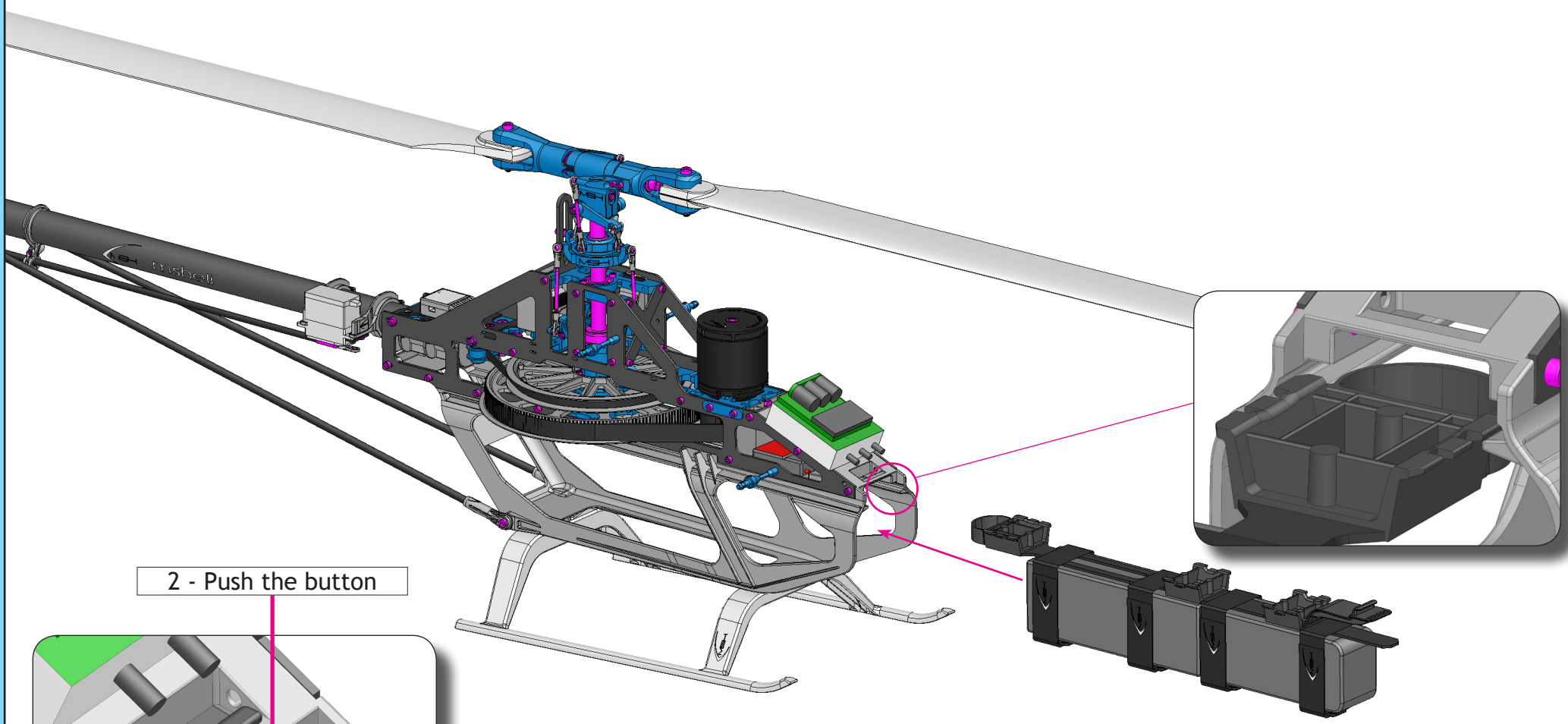
where I can find the BIG PARTS

box F bag B1

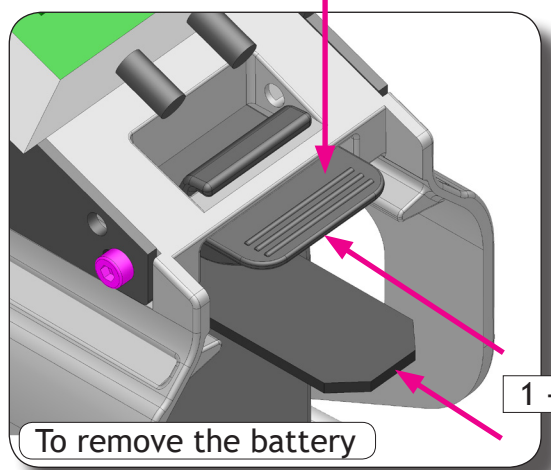
where I can find screws, ball bearings and stuff like that



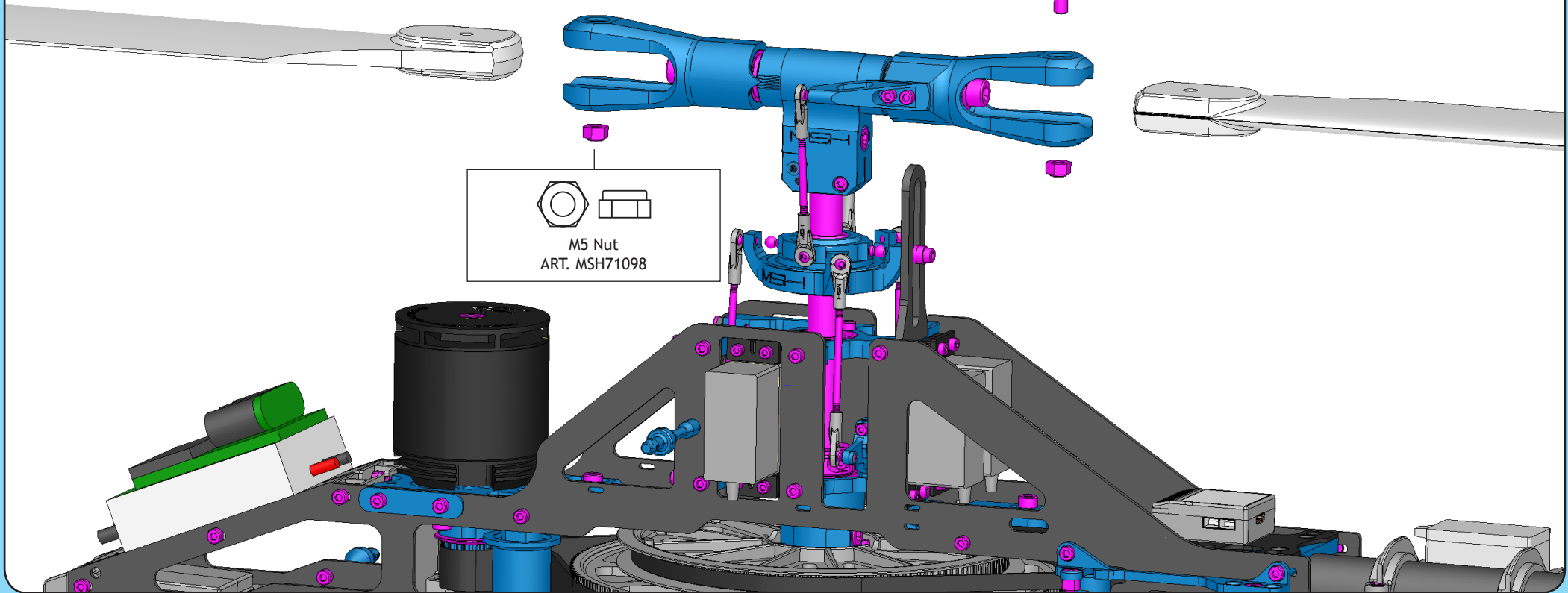
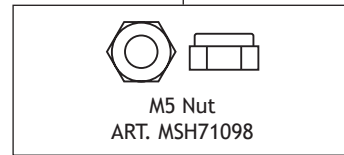
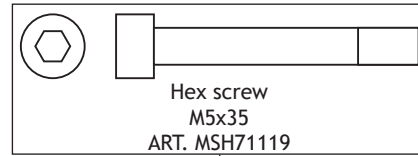
battery slide



2 - Push the button



1 - Push back the slide

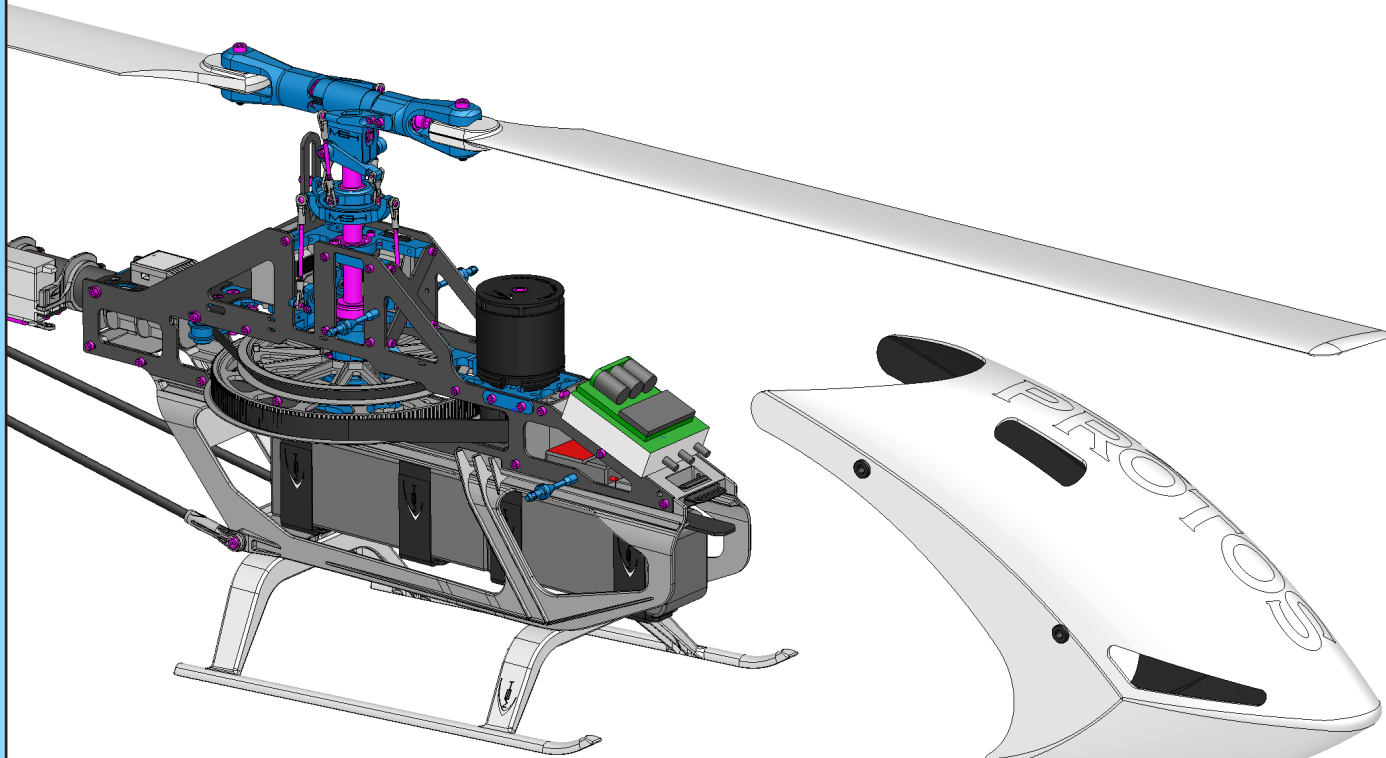


box A

where I can find the BIG PARTS

box F bag E2

where I can find screws, ball bearings and stuff like that



Painted canopy FG

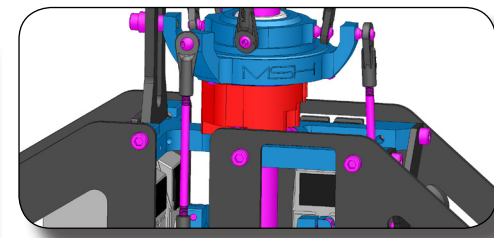
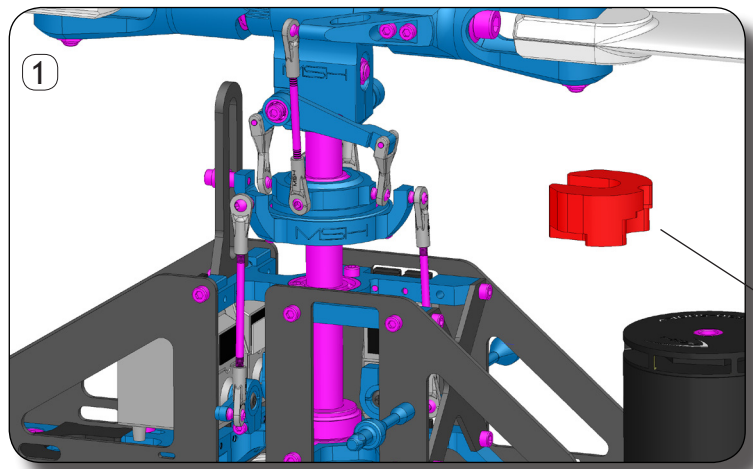


main blades pitch check

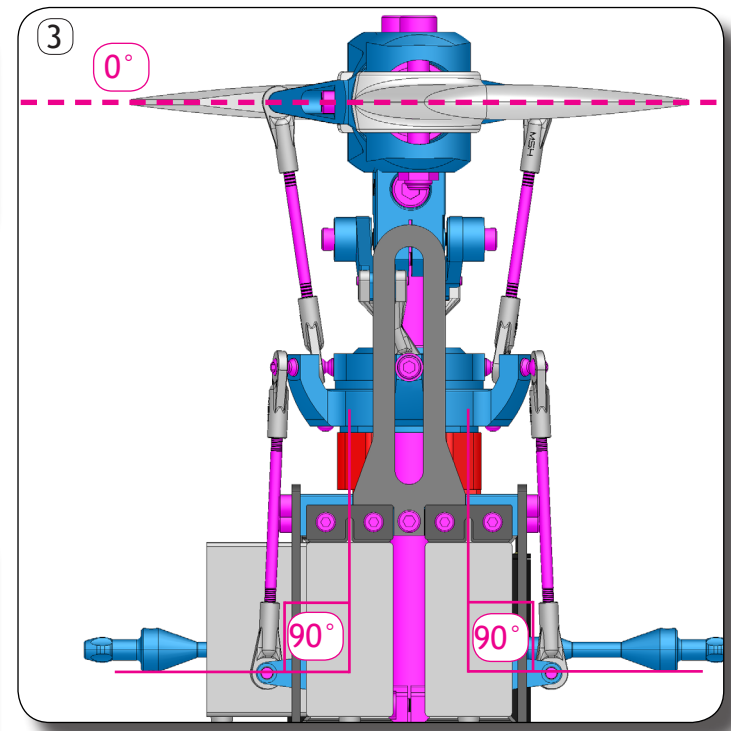
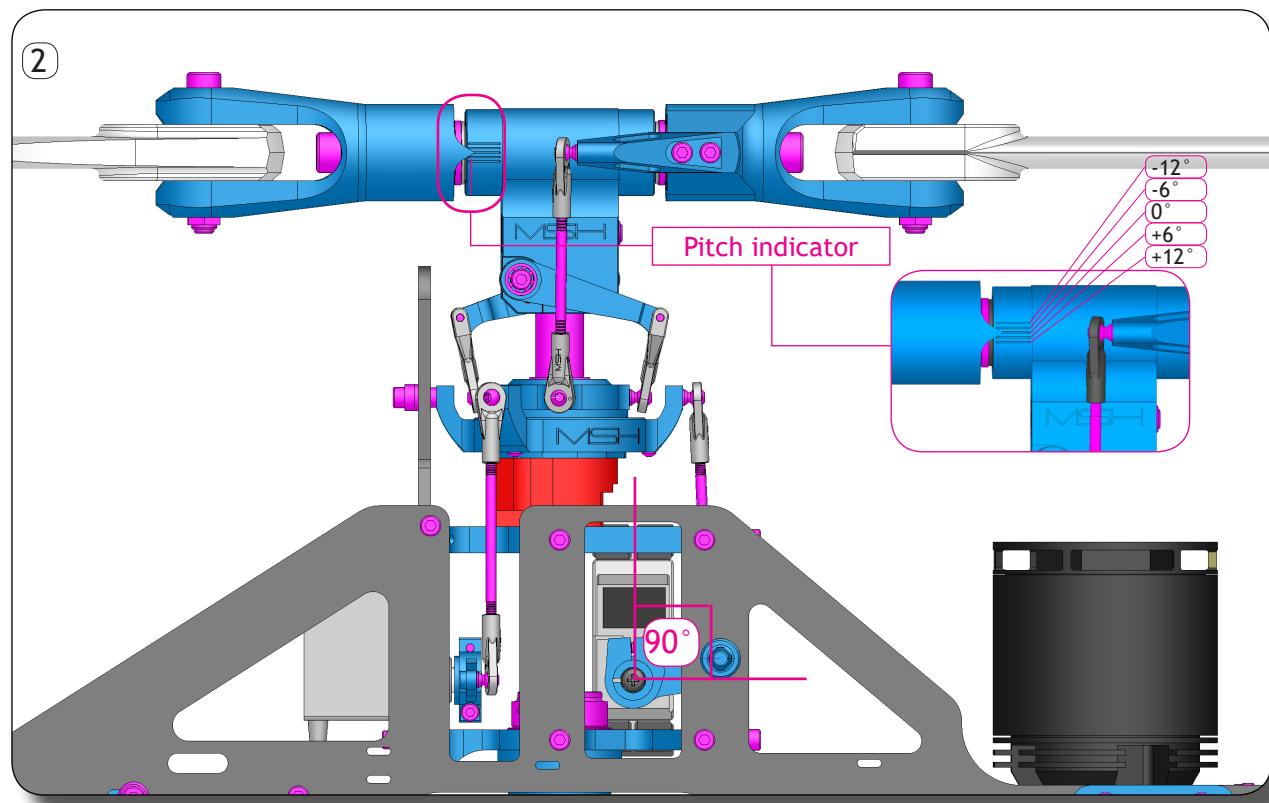
box F bag E2



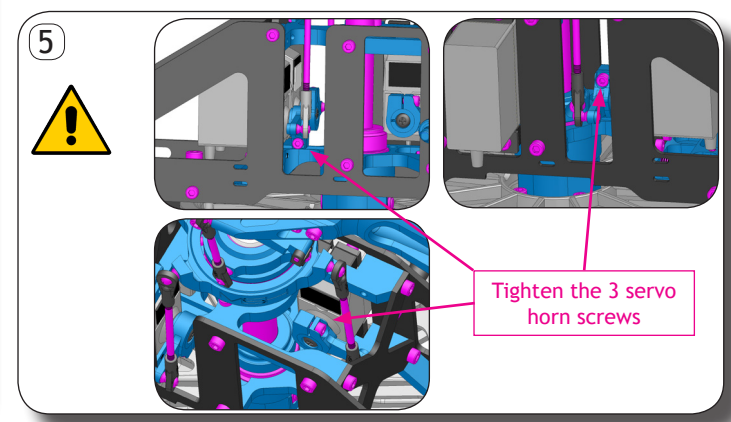
where I can find screws, ball bearings and stuff like that



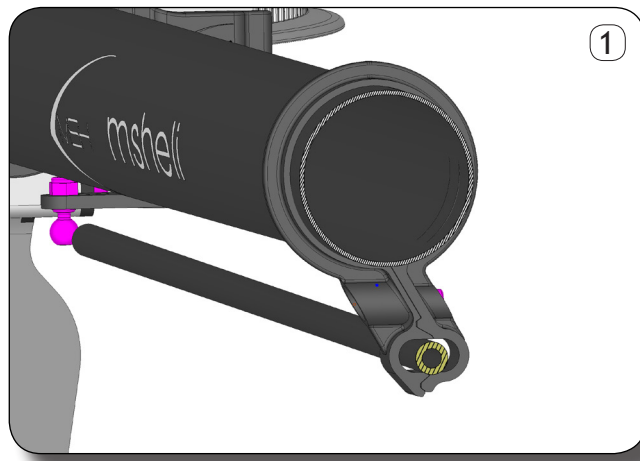
Main and tail blades pitch checker
ART. MSH71126



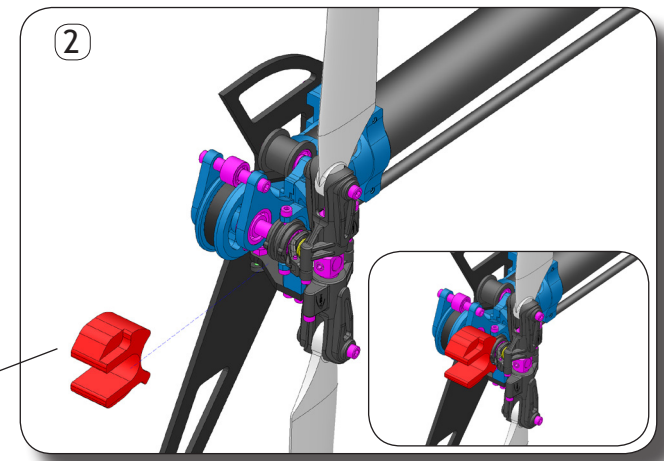
4 Set transmitter and Brain to 0°



tail blades pitch check

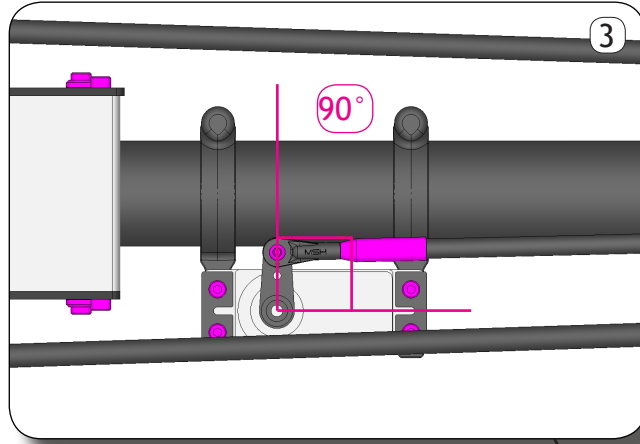


1



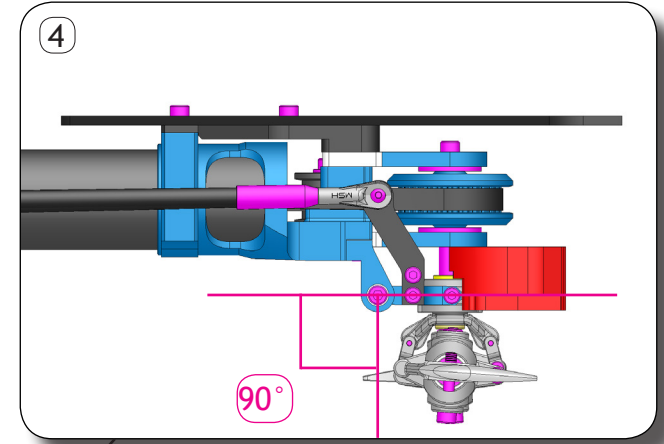
2

Main and tail blades pitch checker
ART. MSH71126



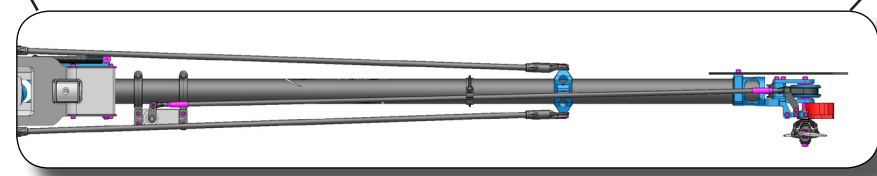
3

90°

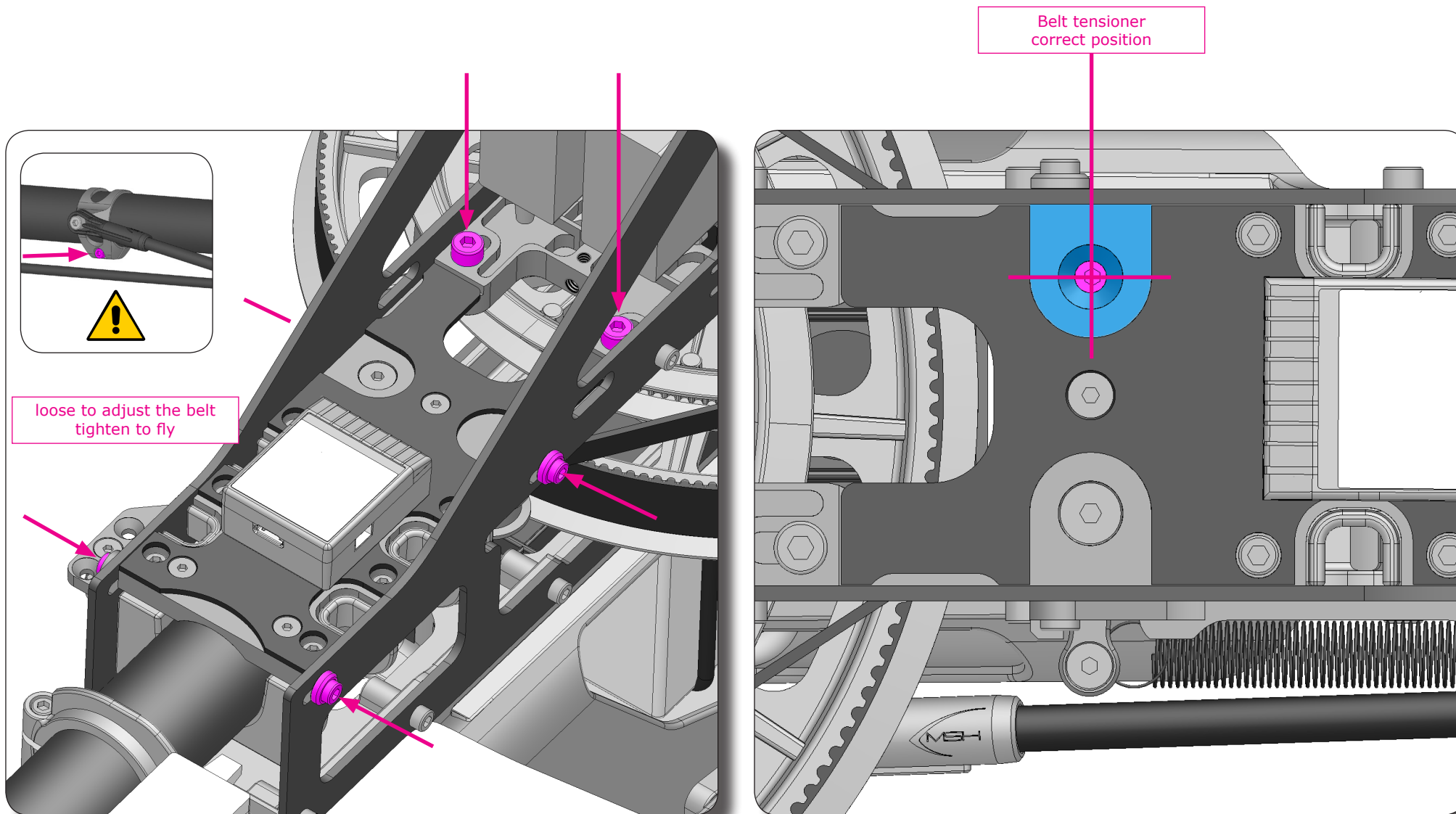


4

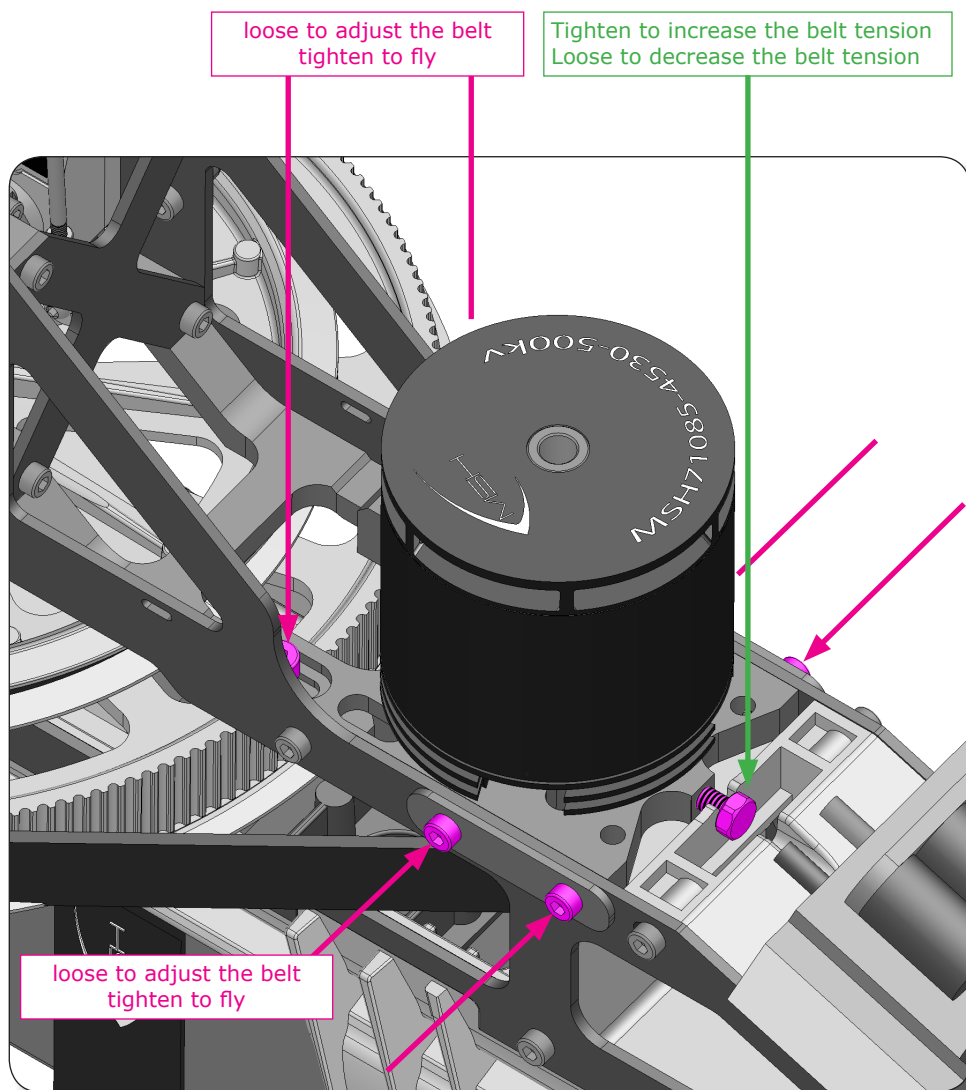
90°



belt tension check - Tail side



belt tension check - Motor side



Upgrades



| | |
|----------|--|
| MSH71051 | Servo horn adapter JR (2x) |
| MSH71057 | Head dampeners 3D (red) |
| MSH71203 | 770 conversion Kit Protos Max V2 |
| MSH71165 | 800 conversion Kit Protos Max V2 |
| MSH71168 | Guide pulley - 10mm - Metal |
| MSH71022 | Magnet canopy support Kit (2x) |
| MSH71173 | Landing gear White - Gorilla Gear |
| MSH71177 | Power Bus Protos Max V2 Sticker included |
| MSH71226 | Pinion 18T V2 r2 Alu |
| MSH71227 | Pinion 19T V2 r2 Alu |
| MSH71229 | Pinion 21T V2 r2 Alu |
| MSH71230 | Pinion 22T V2 r2 Alu |
| MSH71231 | Pinion 23T V2 r2 Alu |
| MSH71213 | Pinion 18T V2 r2 Steel |
| MSH71214 | Pinion 19T V2 r2 Steel |

| | |
|----------|------------------------------------|
| MSH71215 | Pinion 20T V2 r2 Steel |
| MSH71216 | Pinion 21T V2 r2 Steel |
| MSH71217 | Pinion 22T V2 r2 Steel |
| MSH71218 | Pinion 23T V2 r2 Steel |
| MSH71182 | Vertical fin sticker - Neon Orange |
| MSH71183 | Vertical fin sticker - Neon Yellow |
| | |
| | |
| | |
| | |
| | |
| | |
| | |
| | |
| | |
| | |

specification and design are subject to change without notice
LOCTITE, UHU Plus, Spektrum, Futaba, HOTT and Multiplex are registered trademarks

MSHeli s.r.l.
Uboldo (VA)
ITALY

